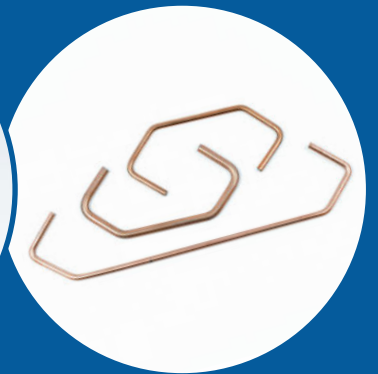
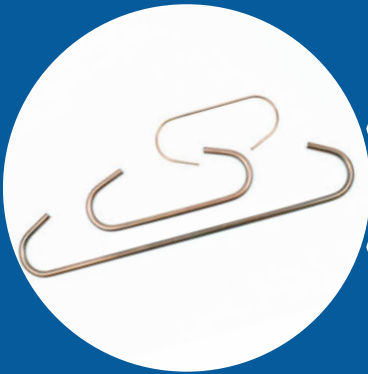




**TOGETHER WE MAKE
THE DIFFERENCE**



Since the company was founded in 1976, EPSI, Engineered Products and Services, Inc. has been your specialist for masking, paint hooks and painting accessories for surface treatment. In 2014, we founded EPSI Europe GmbH for you to expand our global footprint and offer our high-quality and economical solutions in Europe as well.

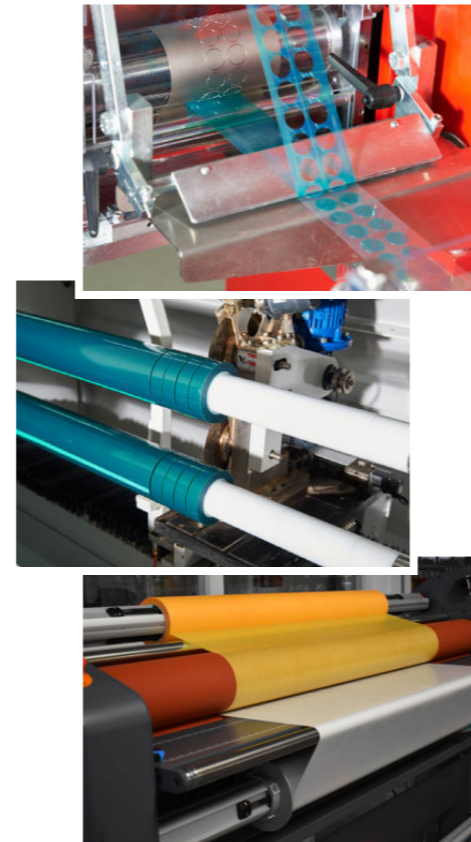
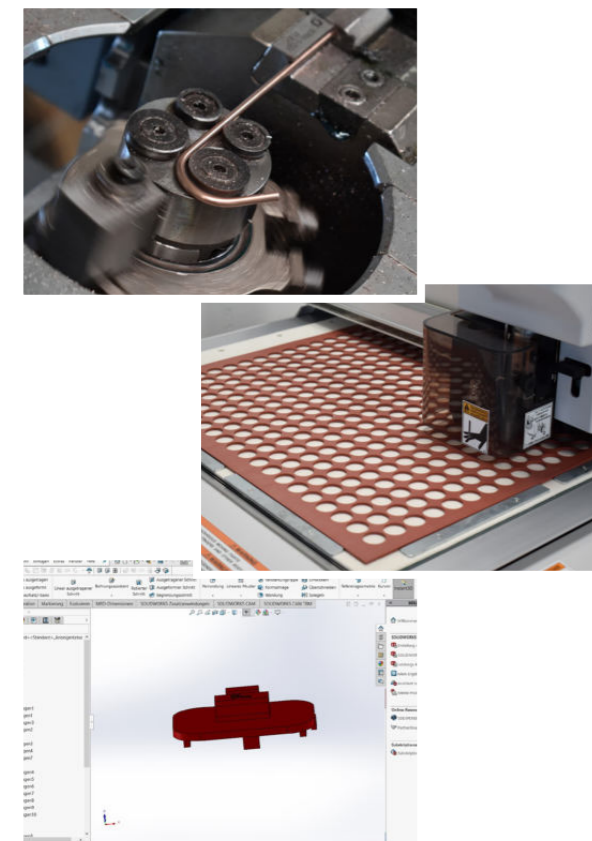
In Hasbergen, in the area of Osnabrück, we stock a large range of standard masking and hanging products for you. Since we have been founded in 2014, we have been constantly expanding our product range and machinery park for you. At our European location, we slit masking tapes, produce die-cuts, laminate adhesive tapes on liner, cut silicone sheeting into custom shapes.

Since August 2022 we produce our hooks and wire parts, on more than 20 bending machines at our second location in Wathlingen – Made In Germany.

Therefore is EPSI the ideal partner for masking and hanging solutions for the finishing industry.

For current pricing or product availability, please do not hesitate to contact us.

Your EPSI Team



Your advantages with EPSI:

-  **wide product range**
-  **maximum know-how**
-  **global locations**
-  **individual service**
-  **quick response time**
-  **high quality**
-  **global engineering**
-  **rapid prototyping**

Family of companies



Amtraco Inc. is a holding of companies in diverse businesses, ranging from manufacturing to distribution on three continents. The headquarter is located in Franksville, Wisconsin, USA.



Engineered, Products & Services, INC (EPSI) is a leading manufacturer of masking and hanging solutions for the surface finishing industry. Besides a wide standard range, EPSI offers custom solutions. With currently 18 locations worldwide, we are closer than you think.



Specialty Tapes Manufacturing (STM) is a quality manufacturer of engineered pressure sensitive tapes for a variety of assembly, bonding and splicing applications based in the USA. Since 2019, STM has a location in Germany for the European distribution.



Sarajian Building Management (SBM) is a real estate company that offers high quality property management services.

Caps



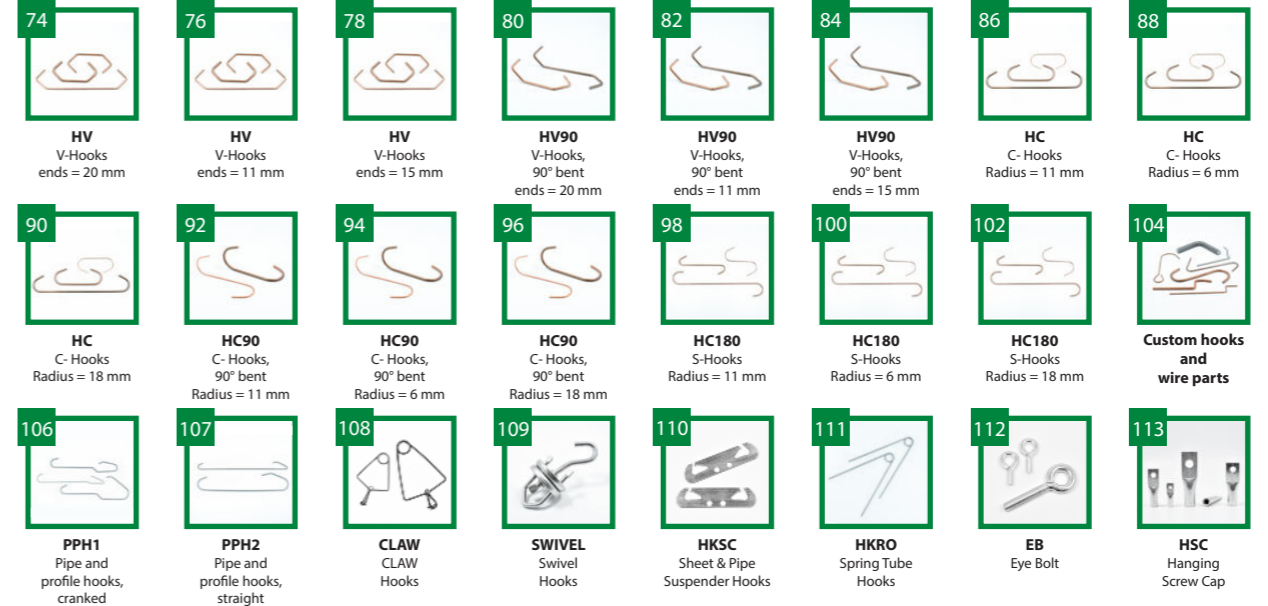
Plugs



Tapes & Discs



Hooks



Tubes & Cords



Siliconesheetings



Miscellaneous



Customized products





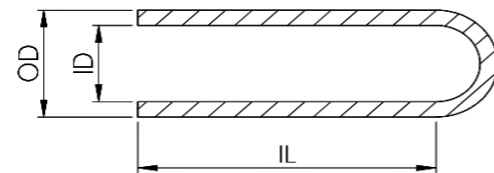
Silicone Caps

Heat resistant up to 315°C

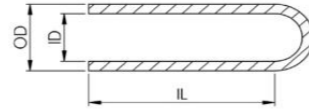
Material: Silicone

Duro: 55 +/- 5 Shore

- » When sizing parts as a cap, the ID of the cap should be 2-5% smaller than the stud diameter
- » To ensure easy removal, select a cap length that is slightly longer than the masking length of the stud. This is especially important if the cap ID is less than 5% of the stud diameter
- » When sizing parts as a plug, the OD should be at least 7% larger than the hole diameter
- » If used to cover tube ends in powder coating, a small slit in the top of the cap will prevent blow off (see EZY™ Caps)
- » Can be used as both cap and as a plug
- » Flexible enough to conform to irregular geometry
- » Round top profile allows for easy insertion into holes
- » Silicone Caps are reusable and will not melt or harden
- » Color coded for increased visibility and easy sorting during reuse



Part Number	Fits for	Color	ID (mm)	OD (mm)	IL (mm)	Bag
SC0020X0500-R		red	0.5	2.0	12.7	1000
SC0035X0500-W		white	0.9	2.4	12.7	1000
SC0040X0750-U		blue	1.0	3.3	19.1	1000
SC0062X0750-L		yellow	1.6	3.9	19.1	1000
SC0070X1000-G	M2	green	1.8	4.1	25.4	1000
SC0080X0750-O		orange	2.0	5.1	19.1	1000
SC0093X0300-C		clear	2.4	5.1	7.6	1000
SC0093X0500-N		pink	2.4	5.4	12.7	1000
SC0093X0750-C		clear	2.4	4.9	19.1	1000
SC0100X0500-R	M3	red	2.5	5.1	12.7	1000
SC0100X1000-G	M3	green	2.5	5.1	25.4	1000
SC0109X0500-L		yellow	2.8	5.8	12.7	1000
SC0109X0750-Y		grey	2.8	5.3	19.1	1000
SC0109X1000-C		clear	2.8	5.3	25.4	1000
SC0125X0500-C		clear	3.2	5.7	12.7	1000
SC0125X1000-B		black	3.2	5.7	25.4	1000
SC0125X1500-C		clear	3.2	6.2	38.1	1000
SC0135X0625-C		clear	3.4	6.5	15.9	1000
SC0140X0250-W		white	3.6	6.6	6.4	1000
SC0140X0500-C		clear	3.6	6.6	12.7	1000
SC0140X1000-W		white	3.6	6.6	25.4	1000
SC0140X1500-W		white	3.6	6.6	38.1	1000
SC0148X0500-N	M4	pink	3.8	6.8	12.7	1000
SC0148X0750-N	M4	pink	3.8	6.8	19.1	1000
SC0148X1000-N	M4	pink	3.8	6.8	25.4	1000
SC0156X0500-G		green	4.0	7.0	12.7	1000
SC0156X1000-L		yellow	4.0	7.0	25.4	1000
SC0156X1500-L		yellow	4.0	7.0	38.1	1000
SC0172X0500-C		clear	4.4	7.4	12.7	1000
SC0172X1000-U		blue	4.4	7.4	25.4	1000
SC0172X1500-U		blue	4.4	7.4	38.1	1000
SC0180X1000-B		black	4.6	7.6	25.4	1000
SC0187X0500-W	M5	white	4.7	7.8	12.7	1000
SC0187X1000-C	M5	clear	4.7	7.8	25.4	1000
SC0187X1500-C	M5	clear	4.7	7.8	38.1	1000
SC0197X0500-Z		brown	5.0	8.1	12.7	1000
SC0218X1000-C		clear	5.5	8.6	25.4	1000



Part Number	Fits for	Color	ID (mm)	OD (mm)	IL (mm)	Bag
SC0223X0500-N	M6	pink	5.7	8.7	12.7	1000
SC0223X0750-C	M6	clear	5.7	8.7	19.1	1000
SC0223X1000-N	M6	pink	5.7	8.7	25.4	1000
SC0223X1500-N	M6	pink	5.7	8.7	38.1	1000
SC0234X0500-G		green	5.9	9.0	12.7	1000
SC0234X1000-G		green	5.9	9.0	25.4	1000
SC0234X1500-C		clear	5.9	9.0	38.1	1000
SC0250X1000-C		clear	6.4	9.4	25.4	1000
SC0250X1500-C		clear	6.4	9.4	38.1	1000
SC0260X1000-O		orange	6.6	9.7	25.4	500
SC0281X1000-U		blue	7.1	10.2	25.4	500
SC0295X0500-B	M8	black	7.5	10.5	12.7	500
SC0295X0750-B	M8	black	7.5	10.5	19.1	500
SC0295X1000-B	M8	black	7.5	10.5	25.4	500
SC0295X1500-B	M8	black	7.5	10.5	38.1	500
SC0312X1000-W		white	7.9	11.0	25.4	500
SC0312X1500-N		pink	7.9	11.0	38.1	500
SC0312X2000-C		clear	7.9	11.0	50.8	500
SC0340X1000-C		clear	8.6	11.7	25.4	500
SC0340X2000-C		clear	8.6	11.7	50.8	500
SC0355X1000-C		clear	9.0	12.1	25.4	500
SC0355X1500-G		green	9.0	12.1	38.1	500
SC0366X1500-C		clear	9.3	12.3	38.1	500
SC0375X0750-L	M10	yellow	9.5	12.6	19.1	500
SC0375X1000-C	M10	clear	9.5	12.6	25.4	500
SC0375X1000-L	M10	yellow	9.5	12.6	25.4	500
SC0375X1500-Y	M10	grey	9.5	12.6	38.1	500
SC0406X1000-U		blue	10.3	13.4	25.4	250
SC0437X1000-B		black	11.1	14.1	25.4	250
SC0456X0500-C	M12	clear	11.6	14.1	12.7	250
SC0456X1000-C	M12	clear	11.6	14.1	25.4	250
SC0456X1500-C	M12	clear	11.6	14.1	38.1	250
SC0468X1000-W		white	11.9	14.9	25.4	250
SC0480X1500-N		pink	12.2	15.2	38.1	250
SC0500X1500-G		green	12.7	15.7	38.1	250
SC0535X1500-C		clear	13.6	16.1	38.1	250
SC0535X3000-C		clear	13.6	16.1	76.2	250



Part Number	Fits for	Color	ID (mm)	OD (mm)	IL (mm)	Bag
SC0562X1500-C		clear	14.3	17.3	38.1	250
SC0590X4720-C		clear	15.0	18.0	119.9	250
SC0600X1500-C	M16	clear	15.2	18.0	38.1	250
SC0625X1125-C		clear	15.9	18.9	28.6	250
SC0625X1500-C		clear	15.9	18.9	38.1	250
SC0625X2500-C		clear	15.9	18.9	63.5	250
SC0687X0620-C		clear	17.4	20.5	22.4	100
SC0687X1000-L		yellow	17.4	20.5	25.4	100
SC0687X1500-C		clear	17.4	20.5	38.1	100
SC0730X1500-C		clear	18.5	21.6	38.1	100
SC0750X1500-C	M20	clear	19.1	22.1	38.1	100
SC0750X3500-Y	M20	grey	19.1	22.1	88.9	100
SC0780X1500-C		clear	19.8	22.9	38.1	100
SC0812X1500-C		clear	20.6	23.7	38.1	100
SC0875X1000-C		clear	22.2	25.3	25.4	100
SC0875X1500-C		clear	22.2	25.3	38.1	100
SC0937X1500-C		clear	23.8	26.8	38.1	100
SC0970X1500-C		clear	24.6	27.7	38.1	100
SC0970X4000-C		clear	24.6	27.7	101.6	100
SC1000X1500-C		clear	25.4	28.4	38.1	100
SC1000X2000-C		clear	25.4	28.4	50.8	100
SC1062X2000-C		clear	27.0	30.0	50.8	100
SC1125X1500-C		clear	28.6	31.6	38.1	100
SC1187X1500-C		clear	30.1	33.2	38.1	100
SC1250X1500-C		clear	31.8	34.8	38.1	100
SC1350X1500-C		clear	34.3	37.3	38.1	100
SC1350X1750-C		clear	34.3	37.3	44.5	100
SC1380X1000-C		clear	35.1	38.1	25.4	50
SC1500X1000-C		clear	38.1	41.1	25.4	50
SC1500X1500-C		clear	38.1	41.1	38.1	50
SC1500X1750-C		clear	38.1	41.1	44.5	50
SC1625X2000-C		clear	41.3	44.3	50.8	50
SC1750X1500-C		clear	44.5	47.5	38.1	50
SC1750X2000-C		clear	44.5	47.5	50.8	50
SC1875X2000-C		clear	47.6	50.7	50.8	50
SC2000X2000-C		clear	50.8	53.8	50.8	25

Other sizes, shapes, materials, duros and colors available upon request.



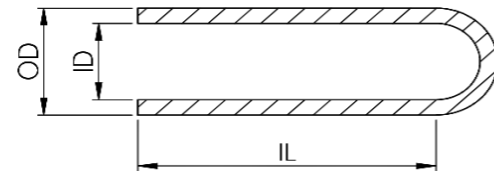
EPDM Caps

Heat resistant up to 250°C

Material: EPDM

Duro: 55 +/- 5 Shore

- » When sizing parts as a cap, the ID of the cap should be 2-5% smaller than the stud diameter
- » To ensure easy removal, select a cap length that is slightly longer than the masking length of the stud. This is especially important if the cap ID is less than 5% of the stud diameter
- » When sizing parts as a plug, the OD should be at least 7% larger than the hole diameter
- » If used to cover tube ends in powder coating, a small slit in the top of the cap will prevent blow off (see EZY™ Caps)
- » Can be used as both cap and as a plug
- » Flexible enough to conform to irregular geometry
- » Round top profile allows for easy insertion into holes
- » Silicone Caps are reusable and will not melt or harden
- » Color coded for increased visibility and easy sorting during reuse



Part Number	Fits for	Color	ID (mm)	OD (mm)	IL (mm)	Bag
EC0062X0750	M2	black	1.6	3.9	19.1	1000
EC0100X1000	M3	black	2.5	5.1	25.4	1000
EC0125X0500		black	3.2	5.7	12.7	1000
EC0140X1000		black	3.6	6.6	25.4	1000
EC0148X1000	M4	black	3.8	6.8	25.4	1000
EC0156X1000		black	4.0	7.0	25.4	1000
EC0180X1000		black	4.6	7.6	25.4	1000
EC0187X1000	M5	black	4.7	7.8	25.4	1000
EC0197X0500		black	5.0	8.1	12.7	1000
EC0218X1000		black	5.5	8.6	25.4	1000
EC0223X1000	M6	black	5.7	8.7	25.4	1000
EC0223X1500	M6	black	5.7	8.7	38.1	1000
EC0234X0500		black	5.9	9.0	12.7	1000
EC0250X1000		black	6.4	9.4	25.4	1000
EC0295X0500	M8	black	7.5	10.5	12.7	500
EC0295X1000	M8	black	7.5	10.5	25.4	500
EC0295X1500		black	7.5	10.5	38.1	500
EC0312X1000		black	7.9	11.0	25.4	500
EC0312X1500		black	7.9	11.0	38.1	500
EC0340X1000		black	8.6	11.7	25.4	500
EC0355X1500		black	9.0	12.1	38.1	500
EC0366X1500		black	9.3	12.3	38.1	500
EC0375X1000	M10	black	9.5	12.6	25.4	500
EC0375X1500	M10	black	9.5	12.6	38.1	500
EC0456X1500	M12	black	11.6	14.1	38.1	250
EC0500X1500		black	12.7	15.7	38.1	250
EC0535X1500	M14	black	13.6	16.1	38.1	250
EC0535X3000	M14	black	13.6	16.6	76.2	250
EC0562X1500		black	14.3	17.3	38.1	250
EC0600X1500	M16	black	15.2	18.0	38.1	250
EC0625X1500		black	15.9	18.9	38.1	250
EC0687X1000		black	17.4	20.4	25.4	100
EC0750X1500	M20	black	19.1	22.1	38.1	100
EC0812X1500		black	20.6	23.7	38.1	100
EC0875X1000		black	22.2	25.3	25.4	100
EC0875X1500		black	22.2	25.3	38.1	100
EC0970X4000		black	24.6	27.6	101.6	100
EC1000X2000		black	25.4	28.4	50.8	100
EC1125X1500		black	28.6	31.6	38.1	100
EC1250X1500		black	31.8	34.8	38.1	100
EC1500X1750		black	38.1	41.1	44.5	50
EC1625X2000		black	41.3	44.3	50.8	50
EC1875X2000		black	47.6	50.7	50.8	50
EC2000X2000		black	50.8	53.8	50.8	25

Other sizes, shapes, materials, duros and colors available upon request.



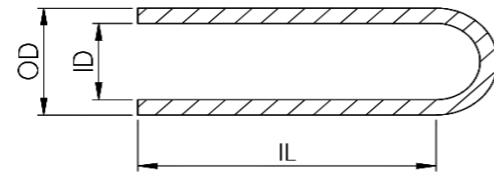
Vinyl Caps

Heat resistant up to 100°C

Material: Vinyl

Duro: 55 +/- 5 Shore

- » economical alternative to Silicone and EPDM Caps
- » protecting parts from debris & contamination during shipping
- » hen sizing, ID of cap should be 5-7% smaller than OD of stud



Part Number	Fits for	Color	ID (mm)	OD (mm)	IL (mm)	Bag
VC0093X0750	M3	black	2.4	3.8	19.1	1000
VC0140X1000	M4	black	3.6	5.3	25.4	1000
VC0187X1000	M5	black	4.8	6.9	25.4	1000
VC0218X1000	M6	black	5.5	7.9	25.4	1000
VC0281X1000	M8	black	7.2	9.7	25.4	500
VC0375X0500	M10	black	9.5	12.7	12.7	500
VC0375X1000	M10	black	9.5	12.7	25.4	500
VC0437X1000	M12	black	11.1	14.3	25.4	250
VC0625X1000	M16	black	15.9	19.3	25.4	250
VC0750X1000	M20	black	19.1	22.4	25.4	100

Other sizes, shapes, materials, duros and colors available upon request.



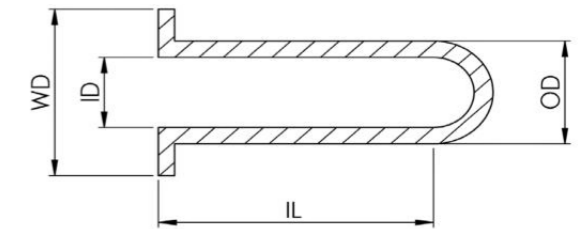
Washer Caps

Heat resistant up to 315°C

Material: Silicone

Duro: 55 +/- 5 Shore

- » Can be used as both a cap and as a plug
- » Washer feature creates a grounding area around holes and studs
- » Flexible enough to conform to irregular geometry
- » Washer feature creates area free from powder for assembly purposes
- » For other washer diameters, EPSI can die-cut a silicone foam donut shaped washer or donut tape die-cut to be used under the cap
- » SC-series caps can be nested inside the washer cap to create smaller ID's



Part Number	Fits for	Color	ID (mm)	OD (mm)	WD (mm)	IL (mm)	Bag
WC0106X0472-G	M3	green	2.7	6.2	12.0	25.4	500
WC0125X0500-C		clear	3.2	6.7	12.7	25.4	500
WC0140X0500-C	M4	clear	3.6	8.1	12.7	25.4	500
WC0146X0472-N		pink	3.7	6.8	12.0	25.4	500
WC0156X0500-C		clear	4.0	8.0	12.7	25.4	500
WC0172X0500-B		black	4.4	9.4	12.7	25.4	500
WC0180X0600-C	M5	clear	4.6	8.1	15.2	25.4	500
WC0220X0590-R	M6	red	5.6	9.1	15.0	25.4	500
WC0220X0787-C		clear	5.6	8.6	20.0	25.4	500
WC0240X0500-F		rusty	6.1	9.1	12.7	25.4	250
WC0295X0700-B	M8	black	7.5	11.0	17.8	25.4	250
WC0300X0675-C		clear	7.6	10.7	17.1	25.4	250
WC0354X0787-N		pink	9.0	12.0	20.0	25.4	250
WC0375X0825-L	M10	yellow	9.5	12.6	21.0	25.4	250
WC0453X0984-C		clear	11.5	16.6	25.0	38.1	250
WC0460X0700-C	M12	clear	11.7	14.7	17.8	25.4	250
WC0500X1000-C		clear	12.7	15.7	25.4	25.4	250
WC0615X1180-F	M16	rusty	15.6	20.3	30.0	38.1	250
WC0780X1475-Y	M20	grey	19.8	24.9	37.5	38.1	250

Other sizes, shapes, materials, duros and colors available upon request.

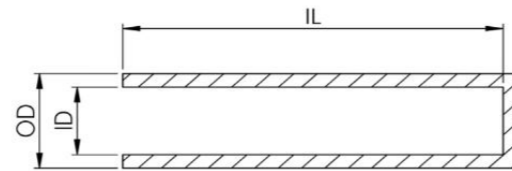


Flat Silicone Caps

Heat resistant up to 315°C

Material: Silicone

Duro: 55 +/- 5 Shore



- » Alternative to many Silicone Cap (SC) sizes
- » When sizing parts as a cap, the ID of the cap should be 2-5% smaller than the stud diameter
- » Reduces creepage in applications where temperature changes rapidly
- » Flexible enough to conform to irregular geometry
- » Flat top aids application and minimizes air trap
- » Flat Silicone Caps are reusable and will not melt or harden

Part Number	Fits for	Color	ID (mm)	OD (mm)	IL (mm)	Bag
FSC0070X1000-F	M2	rusty	1.8	4.8	25.4	1000
FSC0100X1000-F	M3	rusty	2.5	5.6	25.4	1000
FSC0100X1120-C	M3	clear	2.5	5.6	28.4	1000
FSC0120X0400-C		clear	3.0	6.1	10.1	1000
FSC0145X1120-L		yellow	3.7	6.7	28.4	1000
FSC0175X1000-F		rusty	4.4	7.5	25.4	1000
FSC0185X1120-B	M5	black	4.7	7.8	28.4	1000
FSC0220X1120-G		green	5.6	8.6	28.4	1000
FSC0223X1500-F	M6	rusty	5.7	8.7	38.1	1000
FSC0295X1500-F	M8	rusty	7.5	10.5	38.1	1000
FSC0300X1120-R		red	7.6	10.7	28.4	1000
FSC0355X1500-F		rusty	9.0	12.1	38.1	500
FSC0375X1120-U	M10	blue	9.5	12.6	28.4	500
FSC0375X1500-F	M10	rusty	9.5	12.6	38.1	500
FSC0456X1500-F	M12	rusty	11.6	14.6	38.1	500
FSC0515X0728-C		clear	13.1	16.1	18.5	250
FSC0535X1500-F	M14	rusty	13.6	16.6	38.1	250
FSC0600X1500-F	M16	rusty	15.2	18.3	38.1	250
FSC0640X2000-B		black	16.3	19.3	50.8	250
FSC0665X0732-C		clear	16.9	19.9	18.6	250
FSC0722X4555-F		rusty	18.3	21.4	115.7	250
FSC0728X0452-C		clear	18.5	21.6	11.5	250
FSC0730X1500-F		rusty	18.5	21.6	38.1	250
FSC0736X0728-C		clear	18.7	21.7	18.5	250
FSC0855X1500-F		rusty	21.7	24.8	38.1	250
FSC0980X1500-F		rusty	24.9	27.9	38.1	250
FSC1106X0905-C		clear	28.1	31.1	23.0	250
FSC1291X0905-C		clear	32.8	36.8	23.0	100
FSC1555X1102-C		clear	39.5	42.5	28.0	100
FSC1649X1102-C		clear	41.9	45.0	28.0	50
FSC1772X0670-R		red	45.0	54.0	17.0	50
FSC1850X1102-C		clear	47.0	50.0	28.0	50

Other sizes, shapes, materials, duros and colors available upon request.



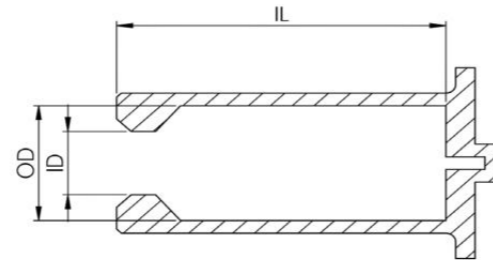
Easy Caps

Heat resistant up to 315°C

Material: Silicone

Duro: 55 +/- 5 Shore

- » If internal pressure is causing blow-offs, place a slit in or remove the nipple. This will allow for venting of internal pressure (Not recommended for immersion coatings)
- » Due to the internal ring, a much smaller ID can be used compared to a standard cap
- » Size at least 10% less than the stud OD
- » EZY™ Caps are ideal for large diameter or long length products
- » Specially designed internal ring allows for easy placement and a liquid-tight seal
- » Oversized head for easy removal
- » Many sizes available with built-in air-vent to eliminate the effects of pressure build-up
- » EZY™ Caps are reusable and will not melt or harden
- » EZY™ Caps offer fine line masking



Part Number	Fits for	Color	ID (mm)	OD (mm)	IL (mm)	Bag
EZY-M05X25-G	M5	green	4.2	9.0	25.0	500
EZY-M05X50-G	M5	green	4.2	9.0	50.0	500
EZY-M06X25-U	M6	blue	5.2	10.0	25.0	500
EZY-M06X50-U	M6	blue	5.2	10.0	50.0	500
EZY-M08X25-L	M8	yellow	7.2	12.0	25.0	500
EZY-M08X50-L	M8	yellow	7.2	12.0	50.0	250
EZY-M10X25-F	M10	rusty	9.2	14.0	25.0	250
EZY-M10X50-F	M10	rusty	9.2	14.0	50.0	250
EZY-M12X25-R	M12	red	11.2	16.0	25.0	250
EZY-M12X50-R	M12	red	11.2	16.0	50.0	250
EZY0187X1377-F	M5	rusty	4.7	10.8	35.0	500
EZY0275X1180-F		rusty	7.0	13.1	30.0	250
EZY0294X1330-F	M8	rusty	7.5	13.6	33.8	250
EZY0362X1000-C		clear	9.2		25.4	250
EZY0375X1421-F	M10	rusty	9.5	15.6	36.1	250
EZY0451X1215-F		rusty	11.5	17.0	30.9	250
EZY0531X1180-F	M14	rusty	13.5	19.6	30.0	100
EZY0906X3500-F		rusty	23.0	29.1	88.9	50
EZY0963X3000-F		rusty	24.5	30.6	76.2	50
EZY1125X5000-F		rusty	28.6	34.7	127.0	50
EZY1921X1575-F		rusty	48.8	58.7	40.0	25
EZY2250X1920-F		rusty	57.2	63.2	48.8	25
EZY2500X2420-F		rusty	63.5	69.6	61.5	25
EZY2750X2670-F		rusty	69.9	75.9	67.8	25
EZY3000X2920-F		rusty	76.2	82.3	74.2	25

Other sizes, shapes, materials, duros and colors available upon request.

MBM

REC

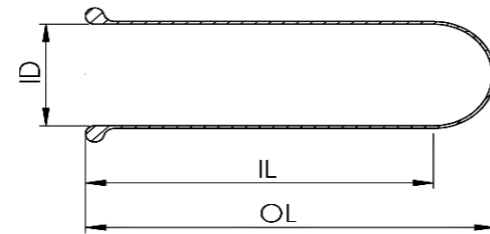


Multi Ballon Masking

Heat resistant up to 315°C

Material: Silicone

Duro: 20 +/- 5 Shore



- » An incredible stretch rate – 150%! That means so many more shapes and sizes can be masked with only one MBM
- » Five balloon masks replace 30+ standard silicone caps
- » The five balloon masks collectively stretch from 12,7 m to 431,9 m
- » Convenient: Easy to use – just slip it over a part
- » Durable: Made of thin, soft, high temperature resistant silicone
- » Innovative: During the hot curing process, the balloon masks will inflate before they pop off of the part being masked
- » Perfect Fit: bead molded into the bottom of each cap allows for a tighter fit around the part being masked
- » Fast & Easy: Very effective for relatively larger parts that aren't necessarily round
- » Undersize 10-15% to start
- » Roll it up for easier application and removal

Part Number	Color	ID (mm)	IL (mm)	OL (mm)	ID max* (mm)	Bag
MBM0500X1500-R	red	12.7	38.1	44.5	31.8	150
MBM0750X2250-O	orange	19.1	57.1	66.7	44.5	100
MBM1375X4000-L	yellow	34.9	101.6	119.1	88.9	20
MBM3000X7000-G	green	76.2	177.8	215.9	184.2	10
MBM6750X7000-U	blue	171.4	177.8	263.5	431.9	5



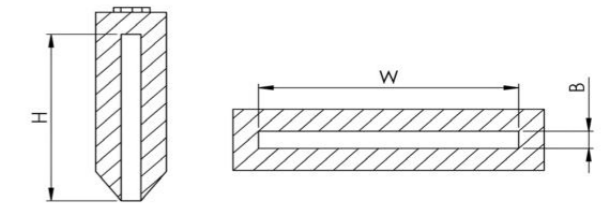
Rectangular Caps

Heat resistant up to 315°C

Material: Silicone

Duro: 55 +/- 5 Shore

- » Used as a cap over connectors and rectangular extensions
- » When sizing, make sure inner length and width are undersized for tight fit



Part Number	Color	W (mm)	L (mm)	H (mm)	Bag
REC0130-O	orange	3.3	1.5	5.3	1000
REC0189-U	blue	4.8	0.8	11.0	1000
REC0236-Y	grey	6.0	1.5	11.0	1000
REC0248-N	pink	6.3	0.8	11.6	1000
REC0460-L	yellow	11.7	0.9	7.1	1000
REC0490-P	purple	12.4	1.2	17.4	500
REC0875-Y	grey	22.2	2.3	38.1	250

Other sizes, shapes, materials, duros and colors available upon request.

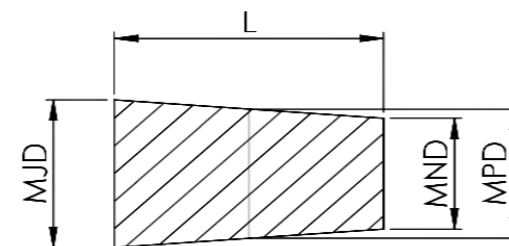


Silicone Tapered Stoppers

Heat resistant up to 315°C

Material: Silicone

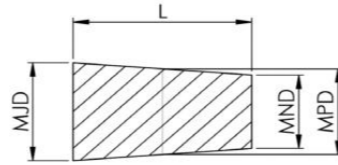
Duro: 55 +/- 5 Shore



- » To find best fit, match hole diameter to plug midpoint diameter
- » When masking off both the front and back of a cavity, it is possible to combine two (STS) with hardware to create a liquid tight mask that resists blow-out
- » Silicone Tapered Stoppers are not recommended for exposure to aggressive chemicals or hydrocarbons
- » Tapered design to fit a variety of hole diameters
- » Compressible for better sealing of both threaded and non-threaded holes

Part Number	Fits for	Color	L (mm)	MJD (mm)	MND (mm)	MPD (mm)	Bag
STS0062X0625-C		clear	15.9	1.6	0.4	1.0	1000
STS0100X0625-L		yellow	15.9	2.5	0.8	1.7	1000
STS0125X0625-N	M2	pink	15.9	3.2	1.6	2.4	1000
STS0177X0591-P		purple	15.0	4.5	1.5	3.0	1000
STS0187X0625-W	M3	white	15.9	4.7	1.6	3.2	1000
STS0187X0750-F	M3	rusty	19.1	4.7	1.6	3.2	1000
STS0188X2200-Y		grey	55.9	4.8	1.2	3.0	1000
STS0197X1100-G		green	27.9	5.0	1.2	3.1	1000
STS0200X0750-U		blue	19.1	5.1	1.6	3.3	1000
STS0216X1500-N		pink	38.1	5.5	1.2	3.3	1000
STS0250X0750-G	M4/M5	green	19.1	6.4	3.2	4.8	1000
STS0250X1000-G	M4/M5	green	25.4	6.4	3.2	4.8	1000
STS0276X0787-L		yellow	20.0	7.0	3.0	5.0	1000
STS0315X0787-R		red	20.0	8.0	4.0	6.0	1000
STS0343X0625-U	M6	blue	15.9	8.7	4.7	6.7	1000

Part Number	Fits for	Color	L (mm)	MJD (mm)	MND (mm)	MPD (mm)	Bag
STS0343X1000-U	M6	blue	25.4	8.7	4.7	6.7	1000
STS0354X0984-W		white	25.0	9.0	4.5	6.7	1000
STS0375X0500-C		clear	12.7	9.5	6.4	7.9	500
STS0375X0750-L		yellow	19.1	9.5	6.4	7.9	500
STS0375X1250-L		yellow	31.8	9.5	3.2	6.4	500
STS0393X0787-U		blue	20.0	10.0	6.0	8.0	500
STS0394X1890-W		white	48.0	10.0	5.0	7.5	500
STS0395X1969-O		orange	50.0	10.0	5.0	7.5	500
STS0433X1063-G		green	27.0	11.0	8.0	9.5	500
STS0437X1000-F	M8/M10	rusty	25.4	11.1	6.4	8.7	500
STS0438X0690-B		black	17.5	11.1	8.7	9.9	500
STS0472X0748-C		clear	19.0	12.0	9.0	10.5	500
STS0472X1000-C		clear	25.4	12.0	9.0	10.5	500
STS0472X2000-C		clear	50.8	12.0	9.0	10.5	500
STS0473X0787-Y		grey	20.0	12.0	7.9	10.0	500
STS0487X0748-C		clear	19.0	12.4	9.0	10.7	500
STS0500X0813-Z		brown	20.7	12.7	8.0	10.3	250
STS0500X1000-Z		brown	25.4	12.7	7.9	10.3	250
STS0500X2000-Z		brown	50.8	12.7	3.2	7.9	250
STS0512X0984-B		black	25.0	13.0	9.0	11.0	250
STS0562X1125-F		rusty	28.6	14.3	8.0	11.1	250
STS0563X1000-U		blue	25.4	14.3	9.5	11.9	250
STS0590X1000-P	M12/M14	purple	25.4	15.0	10.0	12.5	250
STS0591X0787-Z		brown	20.0	15.0	11.0	13.0	250
STS0625X0813-G		green	20.7	15.9	11.1	13.5	250
STS0656X1000-C		clear	25.4	16.7	12.7	14.7	250
STS0669X1000-R		red	25.4	17.0	13.0	15.0	250
STS0687X1000-C		clear	25.4	17.4	11.1	14.3	250
STS0709X0787-C		clear	20.0	18.0	14.0	16.0	250
STS0748X1000-B		black	25.4	19.0	14.0	16.5	250
STS0787X1000-R	M16	red	25.4	20.0	16.0	18.0	100
STS0812X1000-C		clear	25.4	20.6	15.9	18.2	100
STS0827X0984-R		red	25.0	21.0	16.0	18.5	100
STS0925X1000-C		clear	25.4	23.5	19.1	21.3	100
STS0938X1000-L	M20	yellow	25.4	23.8	18.0	20.9	100
STS0945X0750-C		clear	19.1	24.0	19.2	21.6	100
STS0946X1181-C		clear	30.0	24.0	18.0	21.0	100
STS0984X0885-C		clear	22.5	25.0	20.0	22.5	100
STS0990X0795-C		clear	20.2	25.1	22.4	23.7	100



Part Number	Fits for	Color	L (mm)	MJD (mm)	MND (mm)	MPD (mm)	Bag
STS1024X1000-C		clear	25.4	26.0	20.0	23.0	100
STS1062X0984-C		clear	25.0	27.0	22.0	24.5	100
STS1063X1000-C		clear	25.4	27.0	23.0	25.0	100
STS1102X1000-C		clear	25.4	28.0	24.0	26.0	100
STS1102X2000-C		clear	50.8	28.0	19.1	23.5	100
STS1181X1000-C		clear	25.4	30.0	27.8	28.9	100
STS1220X1181-C		clear	30.0	31.0	25.0	28.0	100
STS1260X1000-C		clear	25.4	32.0	26.0	29.0	100
STS1325X0835-C		clear	21.2	33.7	29.0	31.3	100
STS1338X1000-C		clear	25.4	34.0	27.0	30.5	100
STS1339X1181-C		clear	28.0	34.0	28.0	31.0	100
STS1456X1000-C		clear	25.4	37.0	30.0	33.5	100
STS1535X1000-C		clear	25.4	39.0	31.0	35.0	50
STS1614X1000-C		clear	25.4	41.0	33.0	37.0	50
STS1615X1378-C		clear	35.0	41.0	34.0	37.5	50
STS1693X1000-C		clear	25.4	43.0	36.0	39.5	50
STS1732X1575-C		clear	40.0	44.0	36.0	40.0	50
STS1772X1000-C		clear	25.4	45.0	37.0	41.0	50
STS1810X1000-C		clear	25.4	46.0	38.0	42.0	50
STS1929X1575-C		clear	40.0	49.0	41.0	45.0	50
STS1968X1000-C		clear	25.4	50.0	42.0	46.0	50
STS2086X1000-C		clear	25.4	53.0	45.0	49.0	25
STS2205X1000-C		clear	25.4	56.0	48.0	52.0	25
STS2362X1772-C		clear	45.0	60.0	50.0	55.0	25
STS2520X1000-C		clear	25.4	64.0	54.0	59.0	25
STS2953X1377-C		clear	35.0	75.0	62.0	68.5	25

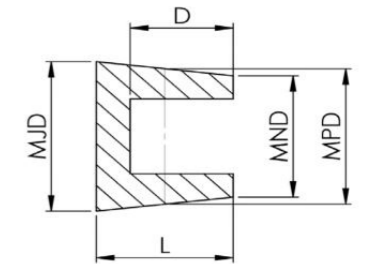
Other sizes, shapes, materials, duros and colors available upon request.

Hollow Stoppers



Heat resistant up to 315°C
Material: Silicone
Duro: 55 +/- 5 Shore

- » Reusable, do not melt and do not harden
- » Fits for hole diameters from 25.0 to 120.0 mm
- » Cost effective alternative to our STS series



Part Number	Color	L (mm)	MJD (mm)	MND (mm)	MPD (mm)	D (mm)	Bag
HSTS1063X1000-W	white	25.4	27.0	23.0	25.0	19.1	100
HSTS1102X1000-F	rusty	25.4	28.0	24.0	26.0	19.1	100
HSTS1260X1000-L	yellow	25.4	32.0	26.0	29.0	19.1	100
HSTS1338X1000-Z	brown	25.4	34.0	27.0	30.5	19.1	100
HSTS1456X1000-U	blue	25.4	37.0	30.0	33.5	18.0	100
HSTS1535X1000-B	black	25.4	39.0	31.0	35.0	18.0	50
HSTS1614X1000-C	clear	25.4	41.0	33.0	37.0	18.0	50
HSTS1693X1000-Y	grey	25.4	43.0	36.0	39.5	17.8	50
HSTS1772X1000-N	pink	25.4	45.0	37.0	41.0	18.2	50
HSTS1810X1000-W	white	25.4	46.0	38.0	42.0	18.2	50
HSTS1968X1000-F	rusty	25.4	50.0	42.0	46.0	18.3	50
HSTS2086X1000-G	green	25.4	53.0	45.0	49.0	18.4	25
HSTS2205X1000-L	yellow	25.4	56.0	48.0	52.0	18.4	25
HSTS2480X1000-Z	brown	25.4	63.0	50.0	56.5	18.2	25
HSTS2520X1000-U	blue	25.4	64.0	54.0	59.0	18.3	25
HSTS2677X1000-F	rusty	25.4	68.0	58.0	63.0	18.3	25
HSTS2953X1377-R	red	35.0	75.0	62.0	68.5	25.4	25
HSTS3543X1535-Y	grey	39.0	90.0	75.0	82.5	30.5	10
HSTS4055X1535-N	pink	39.0	103.0	83.0	93.0	32.4	10
HSTS4750X3423-C	clear	86.9	120.7	90.0	105.3	57.2	5

Other sizes, shapes, materials, duros and colors available upon request.

STSH

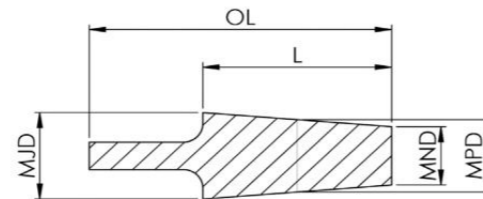


Silicone Tapered Stoppers with Handle

Heat resistant up to 315°C

Material: Silicone

Duro: 55 +/- 5 Shore



- » To find best fit, match hole diameter to plug midpoint diameter
- » When masking off both the front and back of a cavity, it is possible to combine two (STSH) with hardware to create a liquid tight mask that resists blow-out
- » Silicone Tapered Stoppers with Handles are not recommended for exposure to aggressive chemicals or hydrocarbons
- » Tapered design to fit a variety of hole diameters
- » Compressible for better sealing of both threaded and holes

Part Number	Fits for	Color	MJD (mm)	MND (mm)	MPD (mm)	L (mm)	OL (mm)	Bag
STSH0187X0625-C	M3	clear	4.7	1.6	3.2	15.9	25.4	1000
STSH0200X0750-P	M4	purple	5.1	2.5	3.8	19.1	30.6	1000
STSH0250X0750-B	M5	black	6.4	3.2	4.8	19.1	30.6	1000
STSH0276X0787-W	M6	white	7.0	3.5	5.3	20.0	32.7	1000
STSH0375X0750-L	M8	yellow	9.5	6.4	7.9	19.1	30.6	1000
STSH0438X0668-G	M10	green	11.1	5.6	8.3	17.0	29.7	500
STSH0594X1000-L	M12	yellow	15.1	7.5	11.3	25.4	38.1	250
STSH0625X0875-P	M14	purple	15.9	7.9	11.9	22.2	34.9	250
STSH0656X1000-P	M16	purple	16.7	12.7	14.7	25.4	37.0	100
STSH0781X1000-W	M18	white	19.8	9.9	14.9	25.4	38.1	100
STSH0938X1000-R	M20	red	23.8	11.9	17.9	25.4	42.5	100

Other sizes, shapes, materials, duros and colors available upon request.

DSTS

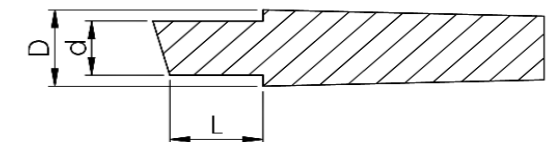


Combination Plugs

Heat resistant up to 315°C

Material: Silicone

Duro: 55 +/- 5 Shore



- » Reusable, do not melt and do not harden
- » Versatile for two different hole sizes
- » Ideal for covering holes and internal threads

Part Number	Fits for	Color	d (mm)	L (mm)	D (mm)	Bag
DSTS025022-U	M2/M3	blue	2.5	7.6	3.5	1000
DSTS034043-L	M4/M5	yellow	3.4	6.5	4.3	1000
DSTS043052-B	M5/M6	black	4.3	7.4	5.2	1000
DSTS051072-G	M6/M8	green	5.1	7.6	7.2	1000
DSTS069089-R	M8/M10	red	6.9	10.0	8.9	1000
DSTS085105-U	M10/M12	blue	8.5	12.0	10.5	500
DSTS103123-Y	M12/M14	grey	10.3	14.2	12.3	500

Other sizes, shapes, materials, duros and colors available upon request.



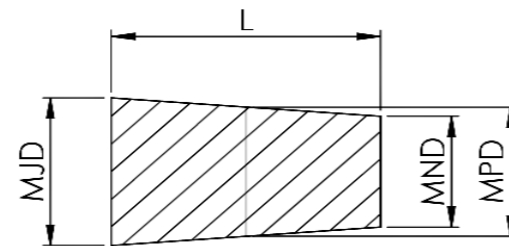
Black EPDM Stoppers

Heat resistant up to 250°C

Material: EPDM

Duro: 55 +/- 5 Shore

- » To find best fit, match hole diameter to plug midpoint diameter
- » Black EPDM Stoppers are not recommended for prolonged exposure to intense heat
- » Tapered to fit a variety of hole diameters
- » Compressible for better sealing of both threaded and non-threaded holes
- » Ideal for sand blasting
- » Excellent chemical and hydrocarbon resistance



Part Number	Fits for	Color	L (mm)	MJD (mm)	MND (mm)	MPD (mm)	Bag
BES0100X0625		black	15.9	2.5	0.8	1.7	1000
BES0125X0625	M2	black	15.9	3.2	1.6	2.4	1000
BES0187X0625	M3	black	15.9	4.7	1.6	3.2	1000
BES0187X0750	M3	black	19.1	4.7	1.6	3.2	1000
BES0197X1100		black	27.9	5.0	1.2	3.1	1000
BES0200X0750		black	19.1	5.1	1.6	3.3	1000
BES0216X1500		black	38.1	5.5	1.2	3.3	1000
BES0220X0318		black	8.1	5.6	3.2	4.4	1000
BES0250X0750	M4/M5	black	19.1	6.4	3.2	4.8	1000
BES0250X1000	M4/M5	black	25.4	6.4	3.2	4.8	1000
BES0343X0625	M6	black	15.9	8.7	4.7	6.7	1000

Part Number	Fits for	Color	L (mm)	MJD (mm)	MND (mm)	MPD (mm)	Bag
BES0343X1000	M6	black	25.4	8.7	4.7	6.7	1000
BES0375X0750		black	19.1	9.5	6.4	7.9	500
BES0375X1250		black	31.8	9.5	3.2	6.4	500
BES0437X1000	M8/M10	black	25.4	11.1	6.4	8.7	500
BES0438X0688		black	17.5	11.1	8.7	9.9	500
BES0500X0813		black	20.7	12.7	8.0	10.3	250
BES0500X1000		black	25.4	12.7	7.9	10.3	250
BES0563X1000		black	25.4	14.3	9.5	11.9	250
BES0590X1000	M12/M14	black	25.4	15.0	10.0	12.5	250
BES0625X0813		black	20.7	15.9	11.1	13.5	250
BES0656X1000		black	25.4	16.7	12.7	14.7	250
BES0669X1000		black	25.4	17.0	13.0	15.0	250
BES0687X1000		black	25.4	17.4	11.1	14.3	250
BES0748X1000	M16	black	25.4	19.0	14.0	16.5	250
BES0812X1000		black	25.4	20.6	15.9	18.2	100
BES0938X1000	M20	black	25.4	23.8	18.0	20.9	100
BES1024X1000		black	25.4	26.0	20.0	23.0	100
BES1063X1000		black	25.4	27.0	23.0	25.0	100
BES1102X1000		black	25.4	28.0	24.0	26.0	100
BES1220X1181		black	30.0	31.0	25.0	28.0	100
BES1260X1000		black	25.4	32.0	26.0	29.0	100
BES1338X1000		black	25.4	34.0	27.0	30.5	100
BES1456X1000		black	25.4	37.0	30.0	33.5	100
BES1535X1000		black	25.4	39.0	31.0	35.0	50
BES1614X1000		black	25.4	41.0	33.0	37.0	50
BES1693X1000		black	25.4	43.0	36.0	39.5	50
BES1772X1000		black	25.4	45.0	37.0	41.0	50
BES1810X1000		black	25.4	46.0	38.0	42.0	50
BES1968X1000		black	25.4	50.0	42.0	46.0	50
BES2086X1000		black	25.4	53.0	45.0	49.0	25
BES2205X1000		black	25.4	56.0	48.0	52.0	25
BES2480X1000		black	25.4	63.0	50.0	56.5	25
BES2520X1000		black	25.4	64.0	54.0	59.0	25
BES2677X1000		black	25.4	68.0	58.0	63.0	25
BES2953X1377		black	35.0	75.0	62.0	68.5	25
BES3543X1535		black	39.0	90.0	75.0	82.5	10
BES4055X1535		black	39.0	103.0	83.0	93.0	10
BES5000X1968		black	50.0	127.0	90.0	108.5	5

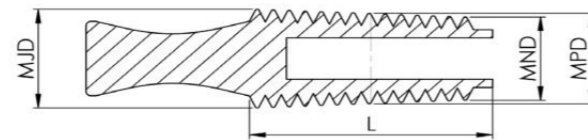
Other sizes, shapes, materials, duros and colors available upon request.

FLP



Flangeless Plugs

- » Flangeless Plugs are designed to be inserted via direct pressure. EPSI does not recommend threading these plugs into place, as threading may cause damage to the plug and difficulty during removal
- » Due to the low tear resistance of Silicone, do not use tools (such as pliers) to remove plugs
- » Tapered ribs and hollow core allow for masking of multiple sizes of holes
- » Sharp rib profile offers excellent chamfer coverage
- » Specially formulated to be rigid, allowing plug to be pushed into place



FLPS

Silicone Flangeless Plugs

Heat resistant up to 315°C

Material: Silicone

Duro: 65 +/- 5 Shore

Part Number	Fits for	Color	L (mm)	MJD (mm)	MND (mm)	MPD (mm)	Bag
FLPS00402-N	M3/M4	pink	19.0	4.0	2.0	3.0	500
FLPS00604-C	M5/M6	clear	25.4	6.0	4.0	5.0	250
FLPS00806-Y	M8	grey	25.4	8.0	6.0	7.0	250
FLPS01008-F	M10	rusty	25.4	10.0	8.0	9.0	250
FLPS01210-U	M12	blue	25.4	12.0	10.0	11.0	250
FLPS01412-C	M14	clear	25.4	14.0	12.0	13.0	250
FLPS01614-Y	M16	grey	25.4	16.0	14.0	15.0	250
FLPS01816-F		rusty	25.4	18.0	16.0	17.0	250
FLPS02018-U	M20	blue	25.4	20.0	18.0	19.0	100
FLPS02220-C		clear	25.4	22.5	20.0	21.2	100
FLPS02422-Y		grey	25.4	24.0	22.5	23.3	100
FLPS02624-F		rusty	25.4	26.0	24.0	25.0	100
FLPS02826-U		blue	25.4	28.0	26.0	27.0	100
FLPS03228-C		clear	25.4	31.8	28.6	30.2	100

FLPE

EPDM Flangeless Plugs

Heat resistant up to 250°C

Material: EPDM

Duro: 65 +/- 5 Shore

Part Number	Fits for	Color	L (mm)	MJD (mm)	MND (mm)	MPD (mm)	Bag
FLPE00402	M3/M4	black	19.0	4.0	2.0	3.0	500
FLPE00604	M5/M6	black	25.4	6.0	4.0	5.0	250
FLPE00806	M8	black	25.4	8.0	6.0	7.0	250
FLPE01008	M10	black	25.4	10.0	8.0	9.0	250
FLPE01210	M12	black	25.4	12.0	10.0	11.0	250
FLPE01412	M14	black	25.4	14.0	12.0	13.0	250
FLPE01618	M16	black	25.4	16.0	14.0	15.0	250
FLPE01816		black	25.4	18.0	16.0	17.0	250
FLPE02018	M20	black	25.4	20.0	18.0	19.0	100
FLPE02220		black	25.4	22.5	20.0	21.2	100
FLPE02422		black	25.4	24.0	22.5	23.3	100
FLPE02624		black	25.4	26.0	24.0	25.0	100
FLPE02826		black	25.4	28.0	26.0	27.0	100
FLPE03229		black	25.4	31.8	28.6	30.2	100

Other sizes, shapes, materials, duros and colors available upon request.



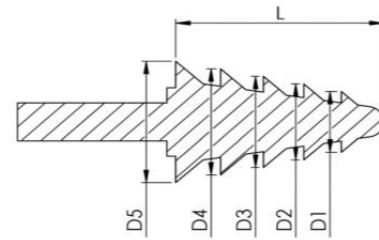
Multi Step Plugs

Heat resistant up to 315°C

Material: Silicone

Duro: 55 +/- 5 Shore

- » Reusable, do not melt and do not harden
- » Ideal for covering threaded holes
- » Multiple thread sizes can be masked with one plug by simply push and twist



Part Number	Fits for	Color	D1 (mm)	D2 (mm)	D3 (mm)	D4 (mm)	D5 (mm)	L (mm)	Bag
MSP0412-U	M4 – M8	blue	4	6	8	10		13.7	1000
MSP0816-R	M8 – M16	red	8	10	12	14	16	23	500
MSP1018-G	M10 – M18	green	10	12	14	16	18	22.7	200

Other sizes, shapes, materials, duros and colors available upon request.



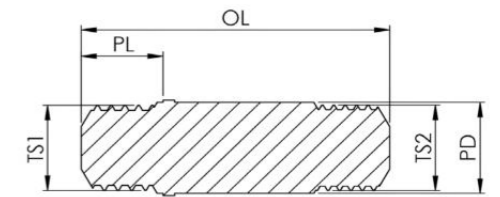
Liqui-Tite Plugs

Heat resistant up to 315°C

Material: Silicone

Duro: 55 +/- 5 Shore

- » Innovative: The best way to seal threaded holes
- » Self Sealing: Spiral threads lock out liquids
- » Fast and Easy: Just push and twist
- » Versatile: Coarse and fine threads on one piece
- » Durable: High-durometer silicone takes repeated uses at high temps



Part Number	Fits for TS 1	Fits for TS2	Color	PL (mm)	OL (mm)	PD (mm)	Bag
LTP-M06-U	M6X1	M6X0.75	blue	8.3	34.9	6.4	500
LTP-M08-L	M8X1.25	M8X1.0	yellow	8.3	34.9	8.4	500
LTP-M10-F	M10X1.5	M10X1.25	rusty	8.3	34.9	10.4	250
LTP-M12-R	M12X1.75	M12X1.25	red	8.3	34.9	12.4	250

Other sizes, shapes, materials, duros and colors available upon request.

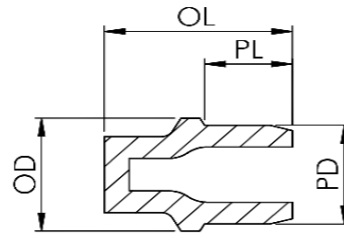
BTM



Blind-Hole Thread Mask Plugs

Heat resistant up to 315°C
 Material: Silicone
 Duro: 55 +/- 5 Shore

- » Shallow design is ideal for blind hole applications and female threads
- » Flange geometry is specially engineered to mask off lead-in chamfers of threads
- » Make sure diameter of mask is at least 5% greater than hole size
- » Removes cleanly after use with no shrinkage



Part Number	Fits for	Color	OL (mm)	PD (mm)	PL (mm)	OD (mm)	Bag
BTM0140-C	M4	clear	18.0	3.5	5.9	4.0	1000
BTM0178-R	M5	red	20.5	4.5	5.6	5.0	1000
BTM0208-C	M6	clear	14.0	5.3	5.5	6.3	500
BTM0218-L		yellow	11.4	5.5	5.1	6.6	500
BTM0278-G	M8	green	12.7	7.1	5.1	8.1	500
BTM0283-U	M8	blue	12.2	7.2	5.0	8.4	500
BTM0336-W		white	15.2	8.5	6.4	9.8	500
BTM0358-N	M10	pink	15.0	9.1	7.0	10.4	250
BTM0392-O		orange	19.1	10.0	8.9	11.2	250
BTM0426-F	M12	rusty	20.1	10.8	8.8	12.5	250
BTM0451-C		clear	19.1	11.5	8.9	13.0	250
BTM0583-G	M16	green	23.0	14.8	11.0	16.6	100
BTM0724-L	M20	yellow	28.5	18.4	13.0	20.6	100

Other sizes, shapes, materials, duros and colors available upon request.

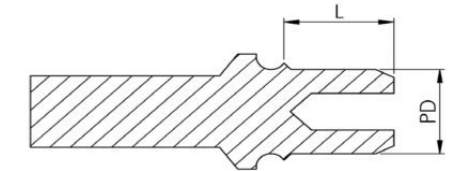
BTC



Blind Thread Collar Plugs

Heat resistant up to 315°C
 Material: Silicone
 Duro: 55 +/- 5 Shore

- » Shallow design is ideal for blind hole applications and female threads
- » Flange geometry is specially engineered to mask off lead-in chamfers of threads
- » Make sure diameter of mask is at least 5% greater than hole size
- » Removes cleanly after use with no shrinkage
- » The additional collar minimize the paint edge



Part Number	Fits for	Color	PD (mm)	L (mm)	Bag
BTC-M04-W	M4	white	3.4	6.4	500
BTC-M05-G	M5	green	4.3	6.4	500
BTC-M06-U	M6	blue	5.2	6.4	500
BTC-M08-L	M8	yellow	7.2	8.8	500
BTC-M10-F	M10	rosted	8.8	10.0	500
BTC-M12-R	M12	red	10.6	12.0	500
BTC-M16-G	M16	green	14.4	13.0	100
BTC-M20-L	M20	yellow	18.4	15.0	100

Other sizes, shapes, materials, duros and colors available upon request.

WPP

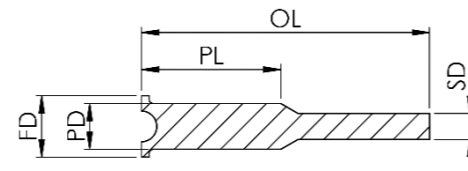
SPP



Weld-Nute Pull Plugs

Heat resistant up to 315°C
 Material: Gum-Silikon
 Duro: 40 +/- 5 Shore

- » Durable: High tensile silicone takes repeated uses at high temperatures
- » Innovative: Designed for easy pull through removal
- » Self-Sealing: Conforms to irregular surfaces on countersinks and lead-in threads



Part Number	Fits for	Color	FD (mm)	OL (mm)	PD (mm)	PL (mm)	SD (mm)	Bag
WPP0173-R	M5	red	6.4	53.0	4.4	25.4	3.0	500
WPP0217-U	M6	blue	8.5	53.6	5.5	25.4	4.0	500
WPP0224-Y		grey	8.7	53.8	5.7	25.4	4.0	500
WPP0283-L	M8	yellow	10.2	55.1	7.2	25.4	4.0	500
WPP0346-N	M10	pink	12.3	56.0	8.8	25.4	5.0	500
WPP0413-G		green	12.9	56.1	10.5	25.4	5.5	250
WPP0439-P	M12	purple	14.1	56.8	11.2	25.4	6.0	250
WPP0490-W	M14	white	15.4	57.5	12.4	25.4	6.5	250
WPP0518-Y		grey	16.2	58.1	13.2	25.4	6.5	250
WPP0545-F		rusty	16.8	58.2	13.8	25.4	7.0	250
WPP0580-R	M16	red	17.8	59.0	14.7	25.4	7.0	250

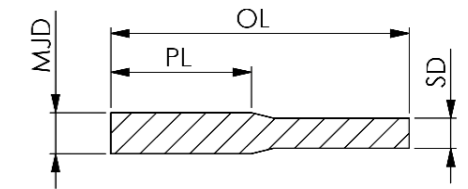
Other sizes, shapes, materials, duros and colors available upon request.



Silicone Pull Plugs

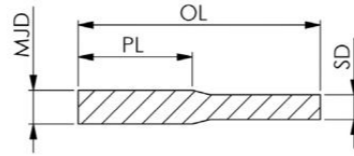
Heat resistant up to 315°C
 Material: Silicone
 Duro: 50 +/- 5 Shore

- » When plugging a hole, make sure the major diameter of the plug is larger than the diameter of the hole being plugged by at least 4%
- » Be aware of any interference issues created by the Pull-Tab exposure after plug insertion
- » Not recommended for holes with a lead-in chamfer or a countersink that require protection from paint



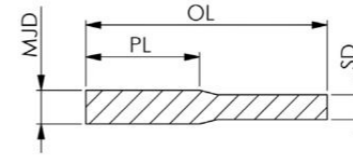
Part Number	Fits for	Color	MJD (mm)	OL (mm)	PL (mm)	SD (mm)	Bag
SPP0073X0625-G	M2	green	1.9	32.3	15.9	1.2	500
SPP0091X0625-L		yellow	2.3	32.4	15.9	1.6	500
SPP0091X1000-C		clear	2.3	51.7	25.4	1.3	500
SPP0093X0625-Y		grey	2.4	32.4	15.9	1.6	500
SPP0093X0700-C		clear	2.4	36.5	17.8	1.6	500
SPP0105X1000-U		blue	2.7	51.6	25.4	1.8	500
SPP0109X0625-R	M3	red	2.8	32.8	15.9	1.6	500
SPP0109X1000-R	M3	red	2.8	51.8	25.4	1.6	500
SPP0118X1000-C		clear	3.0	51.6	25.4	2.1	500
SPP0125X0625-C		clear	3.2	32.7	15.9	2.1	500
SPP0130X0625-C		clear	3.3	32.8	15.9	2.1	500
SPP0130X1000-C		clear	3.3	51.9	25.4	2.1	500
SPP0140X0625-G	M4	green	3.6	33.0	15.9	2.1	500
SPP0145X1250-B		black	3.7	64.6	31.8	2.4	500
SPP0154X0625-L		yellow	3.9	33.3	15.9	2.1	500

SPP



Part Number	Fits for	Color	MJD (mm)	OL (mm)	PL (mm)	SD (mm)	Bag
SPP0156X0625-Y		grey	4.0	33.4	15.9	2.1	500
SPP0156X1250-Y		grey	4.0	64.9	31.8	2.4	500
SPP0158X1000-O		orange	4.0	52.2	25.4	2.4	500
SPP0158X1500-O		orange	4.0	77.6	38.1	2.4	500
SPP0160X0780-C		clear	4.1	40.5	19.8	3.0	500
SPP0162X0625-C		clear	4.1	33.3	15.9	2.4	500
SPP0175X1250-P		purple	4.4	64.6	31.8	3.1	500
SPP0187X0625-R	M5	red	4.7	33.5	15.9	2.8	500
SPP0195X0625-W		white	5.0	33.6	15.9	2.8	500
SPP0197X1000-F		rusty	5.0	52.7	25.4	2.8	500
SPP0218X1000-C	M6	clear	5.5	53.2	25.4	2.8	500
SPP0225X1000-N		pink	5.7	53.0	25.4	3.2	500
SPP0225X1181-N		pink	5.7	62.3	30.0	3.0	500
SPP0236X1250-O		orange	6.0	65.0	31.8	4.2	500
SPP0244X1250-P		purple	6.2	65.1	31.8	4.3	500
SPP0257X1000-G		green	6.5	53.6	25.4	3.3	500
SPP0260X1000-U		blue	6.6	53.7	25.4	3.3	500
SPP0265X1250-Y		grey	6.7	65.2	31.8	4.7	500
SPP0275X0950-L	M8	yellow	7.0	51.5	24.1	3.3	500
SPP0281X1000-U		blue	7.1	53.9	25.4	3.5	500
SPP0295X1000-C		clear	7.5	53.9	25.4	5.5	500
SPP0312X1000-Y		grey	7.9	54.4	25.4	3.7	500
SPP0312X1250-Y		grey	7.9	66.2	31.8	4.7	500
SPP0332X0750-U		blue	8.4	52.6	19.1	6.4	500
SPP0335X1000-W		white	8.5	54.7	25.4	4.0	500
SPP0350X0900-C	M10	clear	8.9	50.0	22.9	4.0	500
SPP0370X0454-C		clear	9.4	64.0	11.5	4.7	250
SPP0375X1000-L		yellow	9.5	55.6	25.4	4.0	250
SPP0388X1000-R		red	9.9	55.9	25.4	4.0	250
SPP0400X1000-C		clear	10.2	59.3	25.4	4.0	250
SPP0414X1000-C		clear	10.5	56.5	25.4	4.0	250
SPP0437X1250-F		rusty	11.1	53.7	31.8	7.8	250
SPP0440X1000-L	M12	yellow	11.2	57.0	25.4	4.0	250
SPP0440X2000-B	M12	black	11.2	107.8	50.8	4.0	250
SPP0468X1250-U		blue	11.9	68.3	31.8	6.4	250
SPP0500X1000-W		white	12.7	56.3	25.4	6.4	100
SPP0510X1000-C		clear	13.0	56.5	25.4	6.4	100
SPP0530X1000-N	M14	pink	13.5	56.9	25.4	6.4	100
SPP0551X1181-C		clear	14.0	66.6	30.0	6.4	100

SPP



Part Number	Fits for	Color	MJD (mm)	OL (mm)	PL (mm)	SD (mm)	Bag
SPP0580X1500-F		rusty	14.7	82.0	38.1	8.0	100
SPP0590X1000-R		red	15.0	58.3	25.4	6.4	100
SPP0612X1000-L	M16	yellow	15.5	58.8	25.4	6.4	100
SPP0620X1500-Z		brown	15.7	68.0	38.1	8.4	100
SPP0640X1000-C		clear	16.3	56.6	25.4	9.5	100
SPP0640X1772-C		clear	16.3	95.8	45.0	9.5	100
SPP0700X1250-U	M18	blue	17.8	70.6	31.8	9.5	100
SPP0700X1500-U	M18	blue	17.8	83.4	38.1	9.4	100
SPP0729X1000-C		clear	18.5	59.9	25.4	8.0	100
SPP0729X1500-W		white	18.5	83.7	38.1	9.8	100
SPP0770X1125-C	M20	clear	19.6	65.8	28.6	9.5	50
SPP0770X1500-C	M20	clear	19.6	84.2	38.1	10.4	50
SPP0798X0650-C		clear	20.3	33.5	16.5	10.0	50
SPP0809X1000-N		pink	20.5	61.7	25.4	9.5	50
SPP0896X1000-G		green	22.8	62.3	25.4	9.5	50
SPP1020X1250-C		clear	25.9	77.7	31.8	9.5	50
SPP1265X2469-U		blue	32.1	140.1	62.7	15.9	25
SPP2000X2000-F		rusty	50.8	128.3	50.8	20.0	25

Other sizes, shapes, materials, duros and colors available upon request.



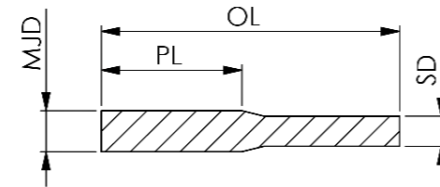
EPDM Pull Plugs

Heat resistant up to 250°C

Material: EPDM

Duro: 50 +/- 5 Shore

- » When plugging a hole, make sure the major diameter of the plug is larger than the diameter of the hole being plugged by at least 4%
- » Be aware of any interference issues created by the Pull-Tab exposure after plug insertion
- » Not recommended for holes with a lead-in chamfer or a countersink that require protection from paint.



Part Number	Fits for	Color	MJD (mm)	OL (mm)	PL (mm)	SD (mm)	Bag
EPP0118X1000		black	3.0	51.6	25.4	2.1	500
EPP0125X0625		black	3.2	33.0	15.9	2.1	500
EPP0140X0625	M4	black	3.6	33.0	15.9	2.1	500
EPP0156X0625		black	4.0	33.4	15.9	2.1	500
EPP0162X0625		black	4.1	33.3	15.9	2.4	500
EPP0187X0625	M5	black	4.7	33.5	15.9	2.8	500
EPP0195X0625		black	5.0	33.6	15.9	2.8	500
EPP0197X1000		black	5.0	52.7	25.4	2.8	500
EPP0225X1000		black	5.7	53.0	25.4	3.2	500
EPP0257X1000		black	6.5	53.0	25.4	3.3	500
EPP0275X0949	M8	black	7.0	51.0	24.1	3.3	500
EPP0281X1000		black	7.1	53.9	25.4	3.5	500
EPP0312X1000		black	7.9	54.4	25.4	3.7	500
EPP0332X1125		black	8.4	52.6	28.6	6.4	500
EPP0350X0900	M10	black	8.9	50.0	22.9	4.0	500
EPP0400X1000		black	10.2	59.3	25.4	4.0	250
EPP0414X1000		black	10.5	58.0	25.4	4.0	250
EPP0468X1250		black	11.9	68.3	31.8	6.4	250
EPP0500X1000		black	12.7	56.3	25.4	6.4	100
EPP0612X1000	M16	black	15.5	56.3	25.4	7.8	100
EPP0700X1250	M18	black	17.8	70.6	31.8	9.5	100
EPP0700X1500	M18	black	17.8	83.4	38.1	9.4	100
EPP0770X1125	M20	black	19.6	65.8	28.6	9.5	50
EPP0770X1500	M20	black	19.6	84.2	38.1	10.4	50
EPP0896X1000		black	22.8	57.5	25.4	9.5	50
EPP1020X1250		black	25.9	77.7	31.8	9.5	50

Other sizes, shapes, materials, duros and colors available upon request.

DWPE



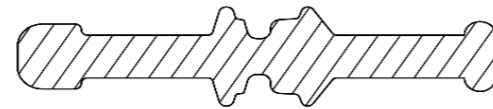
Double Washer Plugs

Heat resistant up to 315°C

Material: Silicone

Duro: 50 +/- 5 Shore

- » Ideal Mask for weld nuts
- » To insert plug, place long stem into hole. Pull through until flanges are securely positioned around your part. To remove plug, pull short stem in reverse direction
- » Masks entry and exit threads simultaneously
- » Designed for common metric threads
- » Provides positive seal



Part Number	Fits for	Color	Bag
DWPE-M05-G	M5	green	1000
DWPE-M06-U	M6	blue	1000
DWPE-M08-L	M8	yellow	1000
DWPE-M10-F	M10	rusty	1000
DWPE-M12-R	M12	red	500
DWPE-M16-O	M16	orange	250
DWPE-M20-B	M20	black	100

Other sizes, shapes, materials, duros and colors available upon request.



DFP



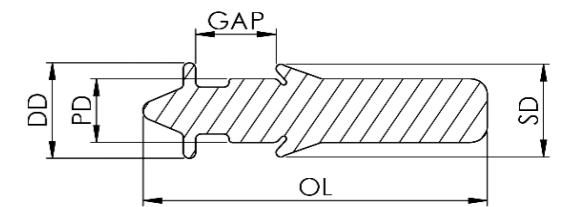
Weld-Tite Dual Flanged Push Plugs

Heat resistant up to 315°C

Material: Silicone

Duro: 55 +/- 5 Shore

- » Fast and Easy: Ergo-designed handle allows for quick installation and removal
- » Convenient: Designed to fit the most common metric and English weld nut sizes
- » Durable: Made with NE-G high-grade, high-temp silicone to stand up to abuse and repeated use



Part Number	Fits for	Color	PD (mm)	GAP (mm)	DD (mm)	SD (mm)	OL (mm)	Bag
DFP-250M06-U	M6	blue	4.75	6.45	7.00	6.75	22.40	500
DFP-313M08-L	M8	yellow	6.30	7.15	9.40	9.15	30.50	500
DFP-375M10-F	M10	rusty	7.70	8.30	11.70	11.45	34.80	250
DFP-500M12-R	M12	red	9.95	9.65	13.98	13.72	42.70	250
DFP-625M16-O	M16	orange	13.24	12.20	17.80	17.80	53.40	100

Other sizes, shapes, materials, duros and colors available upon request.



HTP/SP

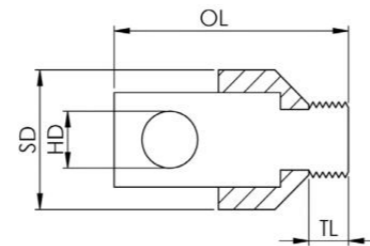
SMS/TSS



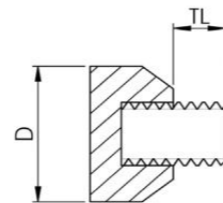
Hang-Tite Plugs and Screw Plugs

Heat resistant up to 315°C
 Material: Silicone + Metall
 Duro: 55 +/- 5 Shore

- » Reusable, do not melt and do not harden
- » Strong seal even with dip coating
- » HTP series: Combines hanging and masking in one solution



Part Number	Fits for	Color	TL (mm)	HD (mm)	OL (mm)	SD (mm)	Bag
HTP-M06-U	M6	blue	3.5	5.0	21.2	12.2	20
HTP-M08-L	M8	yellow	4.3	6.0	25.2	15.0	20
HTP-M10-F	M10	rusty	5.3	6.0	26.3	16.4	20
HTP-M12-R	M12	red	6.4	7.0	27.3	18.4	20



Part Number	Fits for	Color	D (mm)	TL (mm)	Bag
SP-M04-W	M4	white	8.0	5.0	500
SP-M05-G	M5	green	9.0	5.0	500
SP-M06-U	M6	blue	10.0	5.0	250
SP-M08-L	M8	yellow	15.0	5.0	250
SP-M10-F	M10	rusty	14.0	5.0	100

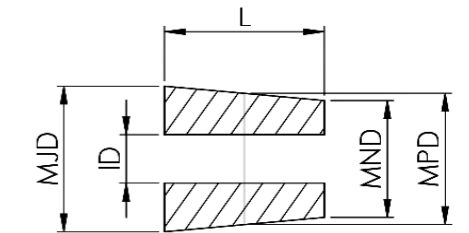
Other sizes, shapes, materials, duros and colors available upon request.



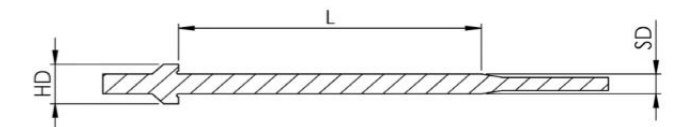
Silicone Masking Stopper and Connecting Plugs

Heat resistant up to 315°C
 Material: Silicone
 Duro: 55 +/- 5 Shore

- » Reusable, do not melt and do not harden
- » Easy combination of different sizes
- » Fits for hole diameters from 25.0 to 120.0 mm
- » Prevents the plugs from "popping out" in the oven
- » Flexible spacing of plugs on the connecting plugs possible
- » Versatile use



Part Number	Color	ID (mm)	L (mm)	MJD (mm)	MND (mm)	MPD (mm)	Bag
SMS0750-C	clear	8.9	25.4	21.7	16.4	19.1	100
SMS1050-C	clear	8.9	25.4	29.3	24.0	26.7	100
SMS1250-C	clear	8.9	25.4	34.4	29.0	31.7	100
SMS1350-C	clear	8.9	25.4	37.0	31.6	34.3	100
SMS1550-C	clear	8.9	25.4	42.0	36.7	39.4	100
SMS2050-C	clear	8.9	25.4	54.7	49.4	52.1	50
SMS2150-C	clear	8.9	25.4	57.3	51.9	54.6	50
SMS2550-C	clear	8.9	25.4	67.4	62.1	64.8	50



Part Number	Color	SD (mm)	L (mm)	HD (mm)	Bag
TSS2000-O	orange	9.7	50.8	19.1	25
TSS5000-L	yellow	9.5	127.0	19.1	25
TSS12000-G	green	9.5	304.8	19.1	25

Other sizes, shapes, materials, duros and colors available upon request.



A12



Green Poly Tape

Heat resistant up to 220°C
 Total thickness: 80 micron
 Adhesive: Silicone
 Carrier: Polyester

- » No shrinkage
- » Removes cleanly without adhesive residue
- » Adhesive thickness: 38 micron
- » Carrier thickness: 51 micron
- » Peel Adhesion: 9.6 N/25.0 mm

Part Number	Width (mm)	Length (m)	Width (in)	Length (yd)
A12-00100	10.0	66	0.394	72
A12-00150	15.0	66	0.591	72
A12-00200	20.0	66	0.787	72
A12-00250	25.0	66	0.984	72
A12-00350	35.0	66	1.378	72
A12-00400	40.0	66	1.575	72
A12-00450	45.0	66	1.772	72
A12-00500	50.0	66	1.969	72
A12-00600	60.0	66	2.362	72
A12-00800	80.0	66	3.150	72
A12-01000	100.0	66	3.937	72
A12-01500	150.0	66	5.906	72

Other widths available on request and at no extra charge (available in widths 5 mm - 1280 mm).
 Due to our own cutting machines short delivery times are guaranteed.



A12P



Green Premium Poly Tape

Heat resistant up to 220°C
 Total thickness: 89 micron
 Adhesive: Silicone
 Carrier: Polyester

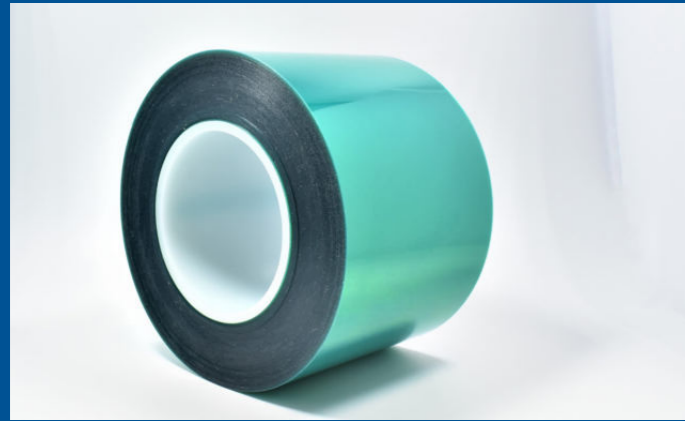
- » No shrinkage
- » Removes cleanly without adhesive residue
- » Recommended for aluminum components
- » Adhesive thickness: 38 micron
- » Carrier thickness: 51 micron
- » Peel Adhesion: 9.6 N/25.0 mm

Part Number	Width (mm)	Length (m)	Width (in)	Length (yd)
A12P-00100	10.0	66	0.394	72
A12P-00150	15.0	66	0.591	72
A12P-00200	20.0	66	0.787	72
A12P-00250	25.0	66	0.984	72
A12P-00350	35.0	66	1.378	72
A12P-00400	40.0	66	1.575	72
A12P-00450	45.0	66	1.772	72
A12P-00500	50.0	66	1.969	72
A12P-00600	60.0	66	2.362	72
A12P-00800	80.0	66	3.150	72
A12P-01000	100.0	66	3.937	72
A12P-01500	150.0	66	5.906	72

Other widths available on request and at no extra charge (available in widths 5 mm - 1280 mm).
 Due to our own cutting machines short delivery times are guaranteed.



AL55



Green Poly Tape on Liner

Heat resistant up to 220°C
 Total thickness: 89 micron
 Adhesive: Silicone
 Carrier: Polyester

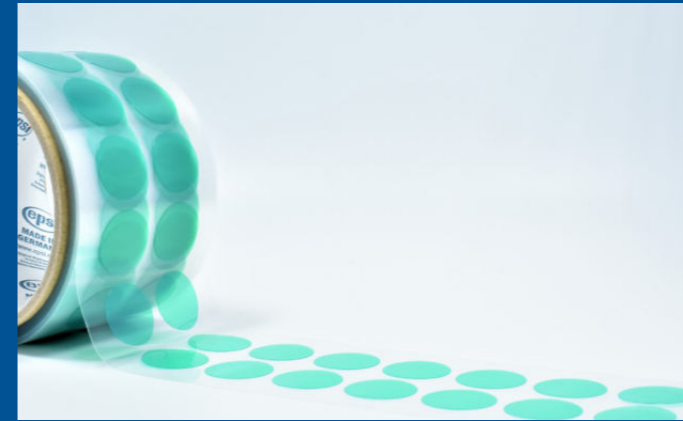
- » No shrinkage
- » Removes cleanly without adhesive residue
- » 3 mil liner
- » Adhesive thickness: 38 micron
- » Carrier thickness: 51 micron
- » Peel Adhesion: 9.6 N/25.0 mm

Part Number	Width (mm)	Length (m)	Width (in)	Length (yd)
AL55-01500	150.0	66	5.905	72
AL55-01800	180.0	66	7.086	72
AL55-02000	200.0	66	7.874	72
AL55-02300	230.0	66	9.055	72
AL55-03000	300.0	66	11.811	72
AL55-04000	400.0	66	15.745	72
AL55-05000	500.0	66	19.685	72

Other widths available on request and without surcharge (available in the widths 30 mm - 1020 mm).
 Due to our own cutting machines short delivery times are guaranteed.



AD12



Green Poly Discs

Heat resistant up to 220°C
 Total thickness: 89 micron
 Adhesive: Silicone
 Carrier: Polyester

- » Removes cleanly without adhesive residue
- » No shrinkage
- » Adhesive thickness: 38 micron
- » Carrier thickness: 51 micron
- » Peel Adhesion 9.6 N/25.4 mm

Part Number	Diameter (mm)	Diameter (in)	Quantity per roll
AD12-0050	5.0	0.197	2000
AD12-0100	10.0	0.394	2000
AD12-0150	15.0	0.591	2000
AD12-0200	20.0	0.787	1000
AD12-0250	25.0	0.984	500
AD12-0300	30.0	1.181	500
AD12-0400	40.0	1.575	500
AD12-0500	50.0	1.968	250
AD12-0600	60.0	2.362	250
AD12-0700	70.0	2.756	250
AD12-0800	80.0	3.150	100
AD12-1000	100.0	3.937	100
AD12-1016	101.6	4.000	100

Other sizes and shapes available upon request.
 Short delivery times are guaranteed due to our own cutting plotters and our own redaction punch.



AW12



Green Wishbone Discs

Heat resistant up to 220°C

Total thickness: 89 micron

Adhesive: Silicone

Carrier: Polyester

- » Easy to place and remove thanks to the finger grip
- » No shrinkage
- » Removes cleanly without adhesive residue
- » Adhesive thickness: 38 micron
- » Carrier thickness: 51 micron
- » Peel Adhesion: 9.6 N/25.4 mm

AW12

Part Number	Diameter (mm)	Diameter (in)	Quantity per roll
AW12-0100	10.0	0.394	500
AW12-0120	12.0	0.472	500
AW12-0127	12.7	0.500	500
AW12-0151	15.1	0.594	500
AW12-0159	15.9	0.626	500
AW12-0160	16.0	0.630	500
AW12-0180	18.0	0.709	500
AW12-0190	19.0	0.748	500
AW12-0198	19.8	0.780	500
AW12-0200	20.0	0.787	500
AW12-0206	20.6	0.811	500
AW12-0222	22.2	0.874	500
AW12-0237	23.7	0.933	500
AW12-0254	25.4	1.000	500
AW12-0270	27.0	1.063	500
AW12-0280	28.0	1.102	500
AW12-0286	28.6	1.126	500
AW12-0302	30.2	1.189	500
AW12-0318	31.8	1.252	500
AW12-0349	34.9	1.374	500
AW12-0365	36.5	1.437	500
AW12-0381	38.1	1.500	500
AW12-0397	39.7	1.563	500
AW12-0400	40.0	1.575	250
AW12-0429	42.9	1.689	250
AW12-0445	44.5	1.752	250
AW12-0476	47.6	1.874	250
AW12-0508	50.8	2.000	250
AW12-0540	54.0	2.126	100
AW12-0603	60.3	2.374	100
AW12-0635	63.5	2.500	100
AW12-0699	69.9	2.752	100
AW12-0762	76.2	3.000	100
AW12-1016	101.6	4.000	100

Other sizes and shapes available upon request.

E07496

BT12



Blue Poly Tape

Heat resistant up to 220°C
 Total thickness: 61 micron
 Adhesive: Silicone
 Carrier: Polyester

- » No shrinkage
- » Removes cleanly without adhesive residue
- » Adhesive thickness: 36 micron
- » Carrier thickness: 25 micron
- » Peel Adhesion: 11 N/25.4 mm

Part Number	Width (mm)	Length (m)	Width (in)	Length (yd)
E07496-00100	10.0	66	0.394	72
E07496-00150	15.0	66	0.591	72
E07496-00200	20.0	66	0.787	72
E07496-00250	25.0	66	0.984	72
E07496-00300	30.0	66	1.181	72
E07496-00350	35.0	66	1.378	72
E07496-00400	40.0	66	1.575	72
E07496-00450	45.0	66	1.772	72
E07496-00500	50.0	66	1.969	72
E07496-00600	60.0	66	2.362	72
E07496-00800	80.0	66	3.150	72
E07496-01000	100.0	66	3.937	72
E07496-01500	150.0	66	5.906	72

Other widths available on request and without surcharge (available in the widths 5 mm - 1371,6 mm).
 Due to our own cutting machines short delivery times are guaranteed.



Duct Tape

Heat resistant up to 80°C
 Total thickness: 300 micron
 Adhesive: Rubber
 Carrier: Gewebe

- » No shrinkage
- » Removes cleanly without adhesive residue
- » Ideal for various types of blasting processes
- » Total thickness: 300 micron
- » Peel Adhesion: 4.3 N/10.0 mm

Part Number	Width (mm)	Length (m)	Width (in)	Length (yd)
BT12-00100	10.0	50	0.394	55
BT12-00150	15.0	50	0.591	55
BT12-00200	20.0	50	0.787	55
BT12-00250	25.0	50	0.984	55
BT12-00300	30.0	50	1.181	55
BT12-00350	35.0	50	1.378	55
BT12-00400	40.0	50	1.575	55
BT12-00450	45.0	50	1.772	55
BT12-00500	50.0	50	1.969	55
BT12-00600	60.0	50	2.362	55
BT12-00800	80.0	50	3.150	55
BT12-01000	100.0	50	3.937	55
BT12-01500	150.0	50	5.906	55

Other widths available on request and without surcharge (available in the widths 5 mm - 1250 mm).
 Due to our own cutting machines short delivery times are guaranteed.



F12



Fiberglass Tape

Heat resistant up to 260°C
 Total thickness: 178 micron
 Adhesive: Silicone
 Carrier: Fiberglass fabric

- » High tensile strength
- » Extremely high abrasive resistance frey-free edges
- » Adhesive thickness: 51 micron
- » Carrier thickness: 127 micron
- » Peel Adhesion: 10.9 N/25.4 mm

Part Number	Width (mm)	Length (m)	Width (in)	Length (yd)
F12-00100	10.0	33	0.394	36
F12-00150	15.0	33	0.591	36
F12-00200	20.0	33	0.787	36
F12-00250	25.0	33	0.984	36
F12-00350	35.0	33	1.378	36
F12-00400	40.0	33	1.575	36
F12-00450	45.0	33	1.772	36
F12-00500	50.0	33	1.969	36
F12-00600	60.0	33	2.362	36
F12-00800	80.0	33	3.150	36
F12-01000	100.0	33	3.937	36
F12-01500	150.0	33	5.906	36

Other widths available on request and without surcharge (available in the widths 5 mm - 1219,2 mm).
 Due to our own cutting machines short delivery times are guaranteed.



FD12



Fiberglass Discs

Heat resistant up to 260°C
 Total thickness: 178 micron
 Adhesive: Silicone
 Carrier: Fiberglass fabric

- » High tensile strength
- » Extremely high abrasive resistance frey-free edges
- » Adhesive thickness: 51 micron
- » Carrier thickness: 127 micron
- » Peel Adhesion: 10.9 N/25.4mm

Part Number	Diameter (mm)	Diameter (in)	Quantity per roll
FD12-0127	12.7	0.500	2000
FD12-0190	19.0	0.750	1000
FD12-0254	25.4	1.000	500
FD12-0381	38.1	1.500	500
FD12-0508	50.8	2.000	100

Other sizes and shapes available upon request.
 Short delivery times are guaranteed due to our own cutting plotters and our own redaction punch.



K22



Polyimide Tape

Heat resistant up to 315°C
 Total thickness: 89 micron
 Adhesive: Silicone
 Carrier: Polyimid

- » Removes cleanly without adhesive residue after exposure to heat and/or chemicals
- » Chemically resistant
- » High-strength backing provides superior puncture, tear and abrasion resistance
- » Flame-retardant and excellent electrical insulation
- » Adhesive thickness: 38 micron
- » Carrier thickness: 51 micron
- » Peel Adhesion: 6 N/25.4 mm

Part Number	Width (mm)	Length (m)	Width (in)	Length (yd)
K22-00100	10.0	33	0.394	36
K22-00150	15.0	33	0.591	36
K22-00200	20.0	33	0.787	36
K22-00250	25.0	33	0.984	36
K22-00350	35.0	33	1.378	36
K22-00400	40.0	33	1.575	36
K22-00450	45.0	33	1.772	36
K22-00500	50.0	33	1.969	36
K22-00600	60.0	33	2.382	36
K22-00800	80.0	33	3.150	36
K22-01000	100.0	33	3.937	36
K22-01500	150.0	33	5.906	36

Other widths available on request and without surcharge (available in the widths 5 mm - 500 mm).
 Due to our own cutting machines short delivery times are guaranteed.



KD22



Polyimid Ronden

Heat resistant up to 315°C
 Total thickness: 89 micron
 Adhesive: Silicone
 Carrier: Polyimid

- » Removes cleanly without adhesive residue after exposure to heat and/or chemicals
- » Chemically resistant
- » High-strength backing provides superior puncture, tear and abrasion resistance
- » Flame-retardant and excellent electrical insulation
- » Adhesive thickness: 38 micron
- » Carrier thickness: 51 micron
- » Peel Adhesion: 6 N/25.4 mm

Part Number	Diameter (mm)	Diameter (in)	Quantity per roll
KD22-0064	6.4	0.250	2000
KD22-0087	8.7	0.343	2000
KD22-0095	9.5	0.375	2000
KD22-0127	12.7	0.500	2000
KD22-0190	19.0	0.750	1000
KD22-0254	25.4	1.000	500
KD22-0381	38.1	1.500	500
KD22-0508	50.8	2.000	100

Other sizes and shapes available upon request.
 Short delivery times are guaranteed due to our own cutting plotters and our own redaction punch.



K12

C08



Polyimide Tape

Heat resistant up to 260°C
 Total thickness: 66 micron
 Adhesive: Silicone
 Carrier: Polyimid

- » Thin and conformable, enabling masking of uneven surfaces
- » Removes cleanly without adhesive residue after exposure to heat and/or chemicals
- » High-strength backing provides superior puncture, tear and abrasion resistance
- » Adhesive thickness: 41 micron
- » Carrier thickness: 25 micron
- » Peel Adhesion: 6.8 N/25.4 mm

Part Number	Width (mm)	Length (m)	Width (in)	Length (yd)
K12-00100	10.0	33	0.394	36
K12-00150	15.0	33	0.591	36
K12-00200	20.0	33	0.787	36
K12-00250	25.0	33	0.984	36
K12-00350	35.0	33	1.378	36
K12-00400	40.0	33	1.575	36
K12-00450	45.0	33	1.772	36
K12-00500	50.0	33	1.969	36
K12-00600	60.0	33	2.362	36
K12-00800	80.0	33	3.150	36
K12-01000	100.0	33	3.937	36
K12-01500	150.0	33	5.906	36

Other widths available on request and without surcharge (available in the widths 5 mm - 500 mm).
 Due to our own cutting machines short delivery times are guaranteed.



Crepe Tape

Heat resistant up to +80°C
 Total thickness: 127 micron
 Adhesive: Rubber
 Carrier: Paper

- » Flexible and versatile
- » Removes cleanly without adhesive residue
- » Cost-effective alternative to masking tape C21
- » Peel Adhesion: 3.1 N/10.0 mm

Part Number	Width (mm)	Length (m)	Width (in)	Length (yd)
C08-00100	10.0	50	0.394	55
C08-00150	15.0	50	0.591	55
C08-00200	20.0	50	0.787	55
C08-00250	25.0	50	0.984	55
C08-00350	35.0	50	1.378	55
C08-00400	40.0	50	1.575	55
C08-00450	45.0	50	1.772	55
C08-00500	50.0	50	1.969	55
C08-00600	60.0	50	2.362	55
C08-00800	80.0	50	3.150	55
C08-01000	100.0	50	3.937	55
C08-01500	150.0	50	5.906	55

Other widths available on request and without surcharge (available in the widths 5 mm - 1473 mm).
 Due to our own cutting machines short delivery times are guaranteed.



C21



Premium Crepe Tape

Heat resistant up to 165°C
 Total thickness: 185 micron
 Adhesive: Rubber
 Carrier: Fine textured crepe paper

- » Straight, clean paint-break line
- » Highly conformable and flexible
- » Tear resistant; solvent resistant
- » Resists paint flaking upon removal
- » Peel Adhesion: 7.7 N/25.4 mm

Part Number	Width (mm)	Length (m)	Width (in)	Length (yd)
C21-00100	10.0	50	0.394	55
C21-00150	15.0	50	0.591	55
C21-00200	20.0	50	0.787	55
C21-00250	25.0	50	0.984	55
C21-00350	35.0	50	1.378	55
C21-00400	40.0	50	1.575	55
C21-00450	45.0	50	1.772	55
C21-00500	50.0	50	1.969	55
C21-00600	60.0	50	2.362	55
C21-00800	80.0	50	3.150	55
C21-01000	100.0	50	3.937	55
C21-01500	150.0	50	5.906	55

Other widths available on request and without surcharge (available in the widths 5 mm - 1498,6 mm).
 Due to our own cutting machines short delivery times are guaranteed.



CD21



Premium Crepe Discs

Heat resistant up to 165°C
 Total thickness: 185 micron
 Adhesive: Rubber
 Carrier: Fine textured crepe paper

- » Straight, clean paint-break line
- » Highly conformable and flexible
- » Tear resistant; solvent resistant
- » Resists paint flaking upon removal
- » Peel Adhesion: 7.7 N/25.4 mm

Part Number	Diameter (mm)	Diameter (in)	Quantity per roll
CD21-0103	10.3	0.406	2000
CD21-0111	11.1	0.438	2000
CD21-0127	12.7	0.500	2000
CD21-0143	14.3	0.563	2000
CD21-0159	15.9	0.625	2000
CD21-0190	19.0	0.750	1000
CD21-0222	22.2	0.875	1000
CD21-0254	25.4	1.000	500
CD21-0286	28.6	1.125	500
CD21-0318	31.8	1.250	500
CD21-0349	34.9	1.375	500
CD21-0381	38.1	1.500	500
CD21-0445	44.5	1.750	250
CD21-0508	50.8	2.000	250
CD21-0572	57.2	2.250	100

Other sizes and shapes available upon request.
 Short delivery times are guaranteed due to our own cutting plotters and our own redaction punch.



CL08



Crepe Tape on Liner

Heat resistant up to +80°C
 Total thickness: 127 micron
 Adhesive: Rubber
 Carrier: Paper

- » Flexible and versatile
- » Removes cleanly without adhesive residue
- » Cost-effective alternative to masking tape C21
- » laminated on Liner
- » Peel Adhesion: 3.1 N/10.0 mm

Part Number	Width (mm)	Length (m)	Width (in)	Length (yd)
CL08-01500	150.0	50	5.905	55
CL08-01800	180.0	50	7.086	55
CL08-02000	200.0	50	7.874	55
CL08-02300	230.0	50	9.055	55
CL08-03000	300.0	50	11.811	55
CL08-04000	400.0	50	15.745	55
CL08-05000	500.0	50	19.685	55

Other widths available on request and without surcharge (available in the widths 30 mm - 1473 mm).
 Due to our own cutting machines short delivery times are guaranteed.

CL21



Premium Crepe Tape on Liner

Heat resistant up to 165°C
 Total thickness: 185 micron
 Adhesive: Rubber
 Carrier: Fine textured crepe paper

- » Straight, clean paint-break line
- » Highly conformable and flexible
- » Tear resistant; solvent resistant
- » Resists paint flaking upon removal
- » laminated on Liner
- » Peel Adhesion: 7.7 N/25.4 mm

Part Number	Width (mm)	Length (m)	Width (in)	Length (yd)
CL21-01500	150.0	50	5.905	55
CL21-01800	180.0	50	7.086	55
CL21-02000	200.0	50	7.874	55
CL21-02300	230.0	50	9.055	55
CL21-03000	300.0	50	11.811	55
CL21-04000	400.0	50	15.745	55
CL21-05000	500.0	50	19.685	55

Other widths available on request and without surcharge (available in the widths 30 mm - 1498 mm).
 Due to our own cutting machines short delivery times are guaranteed.

W12



Precision Tape

Heat resistant up to 100°C
 Total thickness: 87 micron
 Adhesive: Acryl
 Carrier: Paper

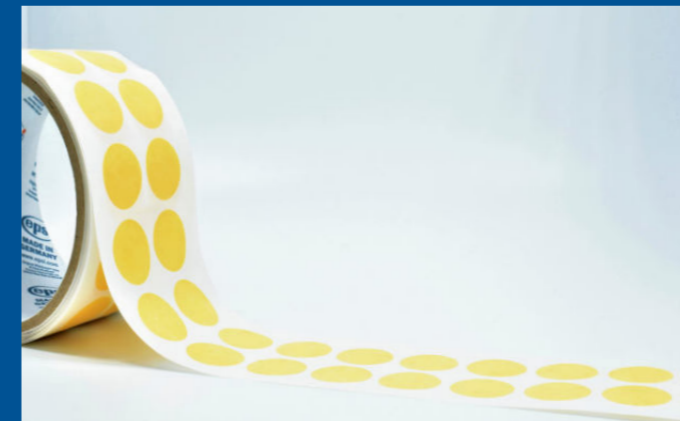
- » Straight and clean paint line
- » Ideal for wet painting and for use in combination with water-based combination with water-based paints
- » UV resistant up to 16 weeks
- » Peel Adhesion: 1.5 N/10.0 mm

Part Number	Width (mm)	Length (m)	Width (in)	Length (yd)
W12-00100	10.0	50	0.394	55
W12-00150	15.0	50	0.591	55
W12-00200	20.0	50	0.787	55
W12-00250	25.0	50	0.984	55
W12-00300	30.0	50	1.181	55
W12-00400	40.0	50	1.575	55
W12-00500	50.0	50	1.969	55

Other widths available on request and without surcharge (available in the widths 5 mm - 1230 mm).
 Due to our own cutting machines short delivery times are guaranteed.



WD12



Precision Discs

Heat resistant up to 100°C
 Total thickness: 87 micron
 Adhesive: Acryl
 Carrier: Paper

- » Straight and clean paint line
- » Ideal for wet painting and for use in combination with water-based combination with water-based paints
- » UV resistant up to 16 weeks
- » Peel Adhesion: 1.5 N/10.0 mm

Part Number	Diameter (mm)	Diameter (in)	Quantity per roll
WD12-0100	10.0	0.394	2000
WD12-0150	15.0	0.413	2000
WD12-0200	20.0	0.787	1000
WD12-0250	25.0	0.984	500
WD12-0300	30.0	1.181	500
WD12-0400	40.0	1.575	500
WD12-0500	50.0	1.989	250
WD12-0600	60.0	2.362	250
WD12-0700	70.0	2.756	250
WD12-0800	80.0	3.149	100
WD12-0900	90.0	3.543	100
WD12-1000	100.0	3.937	100
WD12-1100	110.0	4.331	100
WD12-1200	120.0	4.724	100
WD12-1300	130.0	5.118	100

Other sizes and shapes available upon request.
 Short delivery times are guaranteed due to our own cutting plotters and our own redaction punch.



W21



Premium Precision Tape

Heat resistant up to 150°C
 Total thickness: 110 micron
 Adhesive: Acryl
 Carrier: Paper

- » Straight and clean paint line
- » Ideal for wet painting and for use in combination with water-based combination with water-based paints
- » UV resistant up to 16 weeks
- » Peel Adhesion: 2 N/10.0 mm

Part Number	Width (mm)	Length (m)	Width (in)	Length (yd)
W21-00100	10.0	50	0.394	55
W21-00150	15.0	50	0.591	55
W21-00200	20.0	50	0.787	55
W21-00250	25.0	50	0.984	55
W21-00300	30.0	50	1.181	55
W21-00400	40.0	50	1.575	55
W21-00500	50.0	50	1.969	55

Other widths available on request and without surcharge (available in the widths 5 mm - 1230 mm).
 Due to our own cutting machines short delivery times are guaranteed.



WD21



Premium Precision Discs

Heat resistant up to 150°C
 Total thickness: 110 micron
 Adhesive: Acryl
 Carrier: Paper

- » Straight and clean paint line
- » Ideal for wet painting and for use in combination with water-based combination with water-based paints
- » UV resistant up to 16 weeks
- » Peel Adhesion: 2 N/10.0 mm

Part Number	Diameter (mm)	Diameter (in)	Quantity per roll
WD21-0100	10.0	0.394	2000
WD21-0150	15.0	0.413	2000
WD21-0200	20.0	0.787	1000
WD21-0250	25.0	0.984	500
WD21-0300	30.0	1.181	500
WD21-0400	40.0	1.575	500
WD21-0500	50.0	1.989	250
WD21-0600	60.0	2.362	250
WD21-0700	70.0	2.756	250
WD21-0800	80.0	3.149	100
WD21-0900	90.0	3.543	100
WD21-1000	100.0	3.937	100
WD21-1100	110.0	4.331	100
WD21-1200	120.0	4.724	100
WD21-1300	130.0	5.118	100

Other sizes and shapes available upon request.
 Short delivery times are guaranteed due to our own cutting plotters and our own redaction punch.



WL12



Precision Tape on Liner

Heat resistant up to 100°C
 Total thickness: 87 micron
 Adhesive: Acryl
 Carrier: Papier

- » Straight and clean paint line
- » Ideal for wet painting and for use in combination with water-based combination with water-based paints
- » UV resistant up to 16 weeks
- » laminated on Liner
- » Peel Adhesion: 1.5 N/10.0 mm

Part Number	Width (mm)	Length (m)	Width (in)	Length (yd)
WL12-01500	150.0	50	5.905	55
WL12-01800	180.0	50	7.086	55
WL12-02000	200.0	50	7.874	55
WL12-02300	230.0	50	9.055	55
WL12-03000	300.0	50	11.811	55
WL12-04000	400.0	50	15.745	55
WL12-05000	500.0	50	19.685	55

Other widths available on request and without surcharge (available in the widths 30 mm - 1230 mm).
 Due to our own cutting machines short delivery times are guaranteed.



WL21



Premium Precision Tape on Liner

Heat resistant up to 150°C
 Total thickness: 110 micron
 Adhesive: Acryl
 Carrier: Papier

- » Straight and clean paint line
- » Ideal for wet painting and for use in combination with water-based combination with water-based paints
- » UV resistant up to 16 weeks
- » laminated on Liner
- » Peel Adhesion: 2 N/10.0 mm

Part Number	Width (mm)	Length (m)	Width (in)	Length (yd)
WL21-01500	150.0	50	5.905	55
WL21-01800	180.0	50	7.086	55
WL21-02000	200.0	50	7.874	55
WL21-02300	230.0	50	9.055	55
WL21-03000	300.0	50	11.811	55
WL21-04000	400.0	50	15.745	55
WL21-05000	500.0	50	19.685	55

Other widths available on request and without surcharge (available in the widths 30 mm - 1230 mm).
 Due to our own cutting machines short delivery times are guaranteed.



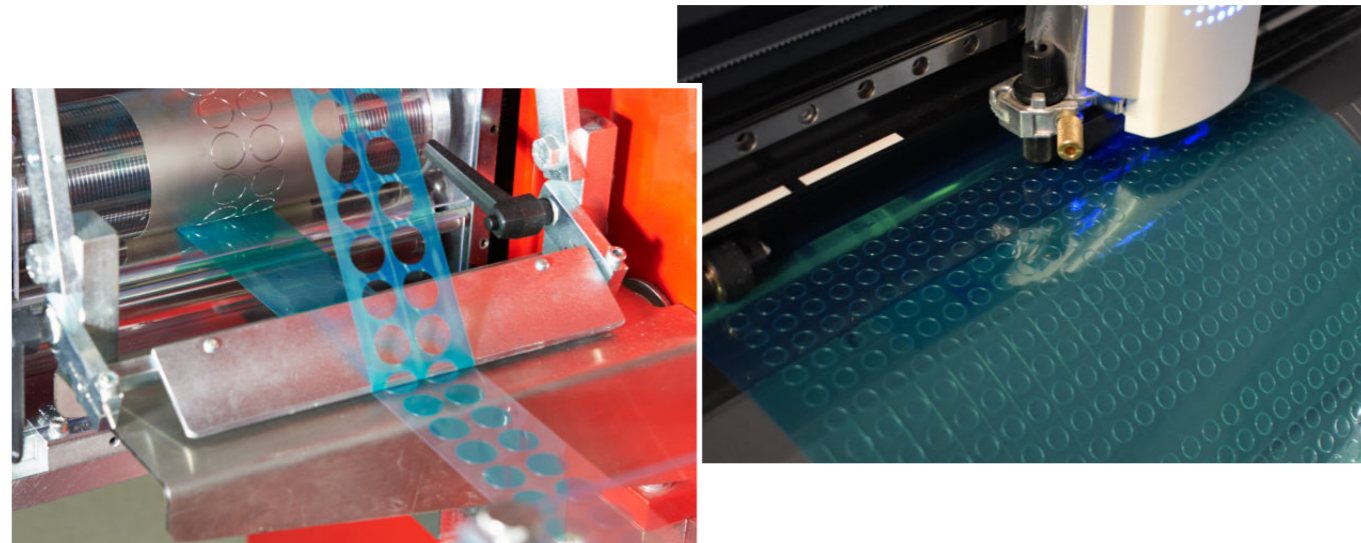
Custom die-cuts



On request, we can supply customized labels or label sheets for a wide range of coating types.
To ensure that no label is forgotten, we recommend the use of die-cut sheets instead of label sheets.

Due to our own cutting plotter and our rotary die cutter, short delivery times for small and large series are guaranteed - without any tooling costs for you.

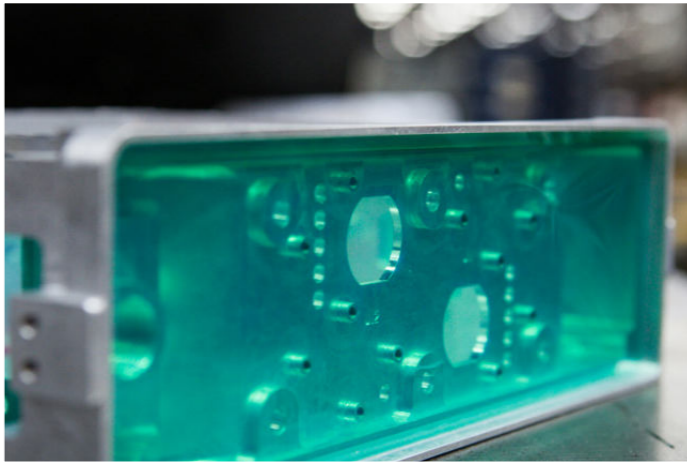
As a template for the labels or label sheets we need a sketch, a drawing, a sample or a DXF file.

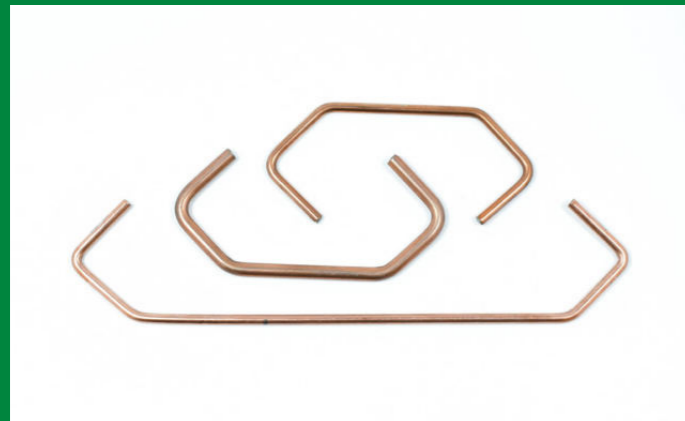


We can produce the special labels from the following materials:

A12	Green Poly Tape	see page 48
E07496	Blue Poly Tape	see page 54
BT12	Duct Tape	see page 55
F12	Fiberglass Tape	see page 56
K22	Polyimide Tape	see page 58
C08	Crepe Tape	see page 61
C21	Premium Crepe Tape	see page 62
W12	Precision Tape	see page 66
W21	Premium Precision Tape	see page 68

Contact us for pricing and lead time!

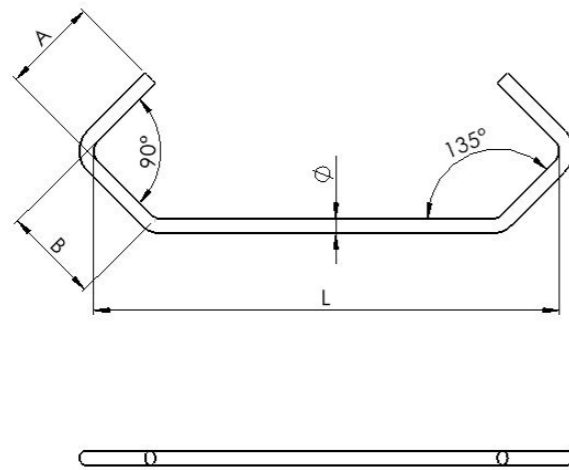




V-Hook

Ends = 20 mm

- » Material: S235JR
- » Other forms, materials and dimensions upon request (see also custom hooks and wire bending parts on page 100)



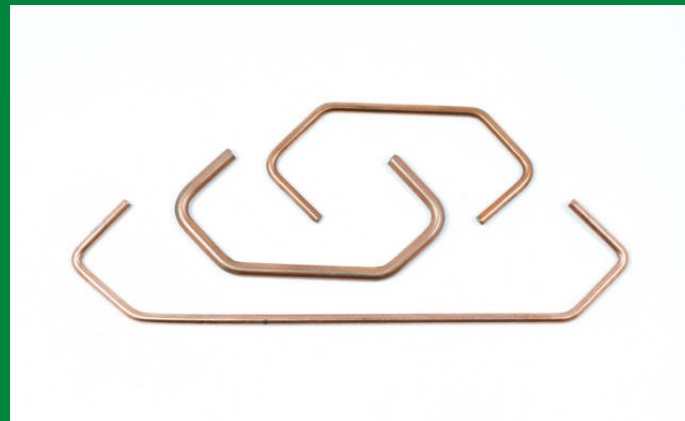
We do offer the following packing styles:



Please refer to the table on the following page for our standard packaging style.
Other types of packaging, which deviate from our standard, are possible for an additional charge.
If you have any questions, please do not hesitate to contact us.

Part Number	Ends = A/B (mm)	Diameter (mm)	Length = L (mm)	Bag	Packaging style
HV-015X0060	20 / 20	1.5	60	2500	packed in bags
HV-015X0075	20 / 20	1.5	75	2500	packed in bags
HV-015X0100	20 / 20	1.5	100	2500	packed in bags
HV-015X0150	20 / 20	1.5	150	2500	packed in bags
HV-015X0200	20 / 20	1.5	200	2500	bulk
HV-015X0250	20 / 20	1.5	250	2500	bulk
HV-020X0060	20 / 20	2.0	60	2500	packed in bags
HV-020X0075	20 / 20	2.0	75	2500	packed in bags
HV-020X0100	20 / 20	2.0	100	2500	packed in bags
HV-020X0150	20 / 20	2.0	150	2500	packed in bags
HV-020X0200	20 / 20	2.0	200	2500	bulk
HV-020X0250	20 / 20	2.0	250	2500	bulk
HV-020X0300	20 / 20	2.0	300	2000	bulk
HV-020X0350	20 / 20	2.0	350	2000	bulk
HV-020X0400	20 / 20	2.0	400	2000	bulk
HV-030X0060	20 / 20	3.0	60	2000	bulk
HV-030X0075	20 / 20	3.0	75	2000	bulk
HV-030X0100	20 / 20	3.0	100	1000	bulk
HV-030X0150	20 / 20	3.0	150	1000	bulk
HV-030X0200	20 / 20	3.0	200	1000	bulk
HV-030X0250	20 / 20	3.0	250	1000	bulk
HV-030X0300	20 / 20	3.0	300	1000	bulk
HV-030X0350	20 / 20	3.0	350	500	bulk
HV-030X0400	20 / 20	3.0	400	500	bulk
HV-030X0500	20 / 20	3.0	500	500	bulk
HV-040X0060	20 / 20	4.0	60	1000	bulk
HV-040X0075	20 / 20	4.0	75	1000	bulk
HV-040X0100	20 / 20	4.0	100	1000	bulk
HV-040X0150	20 / 20	4.0	150	500	bulk
HV-040X0200	20 / 20	4.0	200	500	bulk
HV-040X0250	20 / 20	4.0	250	500	bulk
HV-040X0300	20 / 20	4.0	300	500	bulk
HV-040X0350	20 / 20	4.0	350	500	bulk
HV-040X0400	20 / 20	4.0	400	250	bulk
HV-040X0500	20 / 20	4.0	500	250	bulk

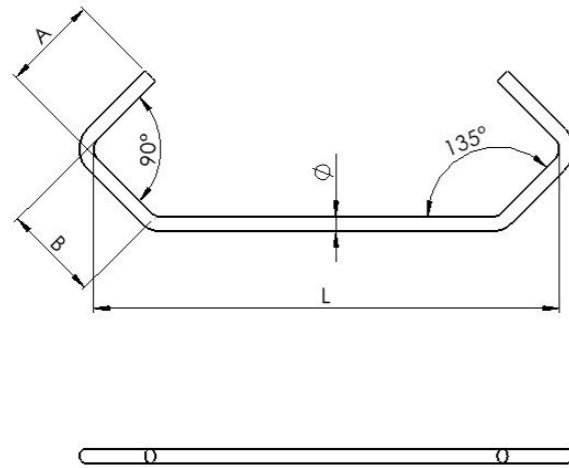
Packaging units may deviate due to production.



V-Hook

Ends = 11 mm

- » Material: S235JR
- » Other forms, materials and dimensions upon request (see also custom hooks and wire bending parts on page 100)



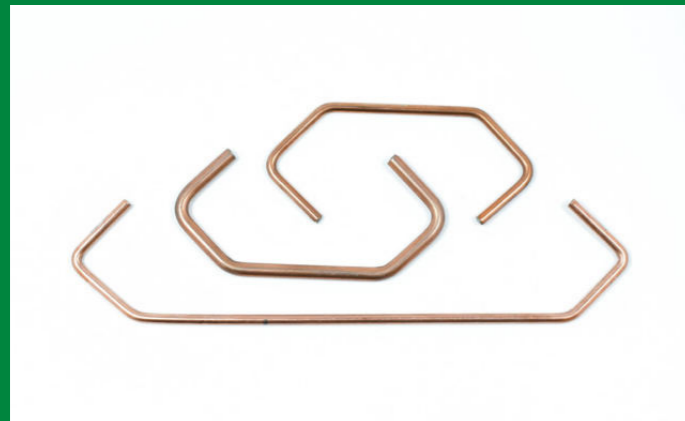
We do offer the following packing styles:



Please refer to the table on the following page for our standard packaging style.
Other types of packaging, which deviate from our standard, are possible for an additional charge.
If you have any questions, please do not hesitate to contact us.

Part Number	Ends = A/B (mm)	Diameter (mm)	Length = L (mm)	Bag	Packaging style
HV-015X0060-11-11	11 / 11	1.5	60	2500	packed in bags
HV-015X0075-11-11	11 / 11	1.5	75	2500	packed in bags
HV-015X0100-11-11	11 / 11	1.5	100	2500	packed in bags
HV-015X0150-11-11	11 / 11	1.5	150	2500	packed in bags
HV-015X0200-11-11	11 / 11	1.5	200	2500	bulk
HV-015X0250-11-11	11 / 11	1.5	250	2500	bulk
HV-020X0060-11-11	11 / 11	2.0	60	2500	packed in bags
HV-020X0075-11-11	11 / 11	2.0	75	2500	packed in bags
HV-020X0100-11-11	11 / 11	2.0	100	2500	packed in bags
HV-020X0150-11-11	11 / 11	2.0	150	2500	packed in bags
HV-020X0200-11-11	11 / 11	2.0	200	2500	bulk
HV-020X0250-11-11	11 / 11	2.0	250	2500	bulk
HV-020X0300-11-11	11 / 11	2.0	300	2000	bulk
HV-020X0350-11-11	11 / 11	2.0	350	2000	bulk
HV-020X0400-11-11	11 / 11	2.0	400	2000	bulk
HV-030X0060-11-11	11 / 11	3.0	60	2000	bulk
HV-030X0075-11-11	11 / 11	3.0	75	2000	bulk
HV-030X0100-11-11	11 / 11	3.0	100	1000	bulk
HV-030X0150-11-11	11 / 11	3.0	150	1000	bulk
HV-030X0200-11-11	11 / 11	3.0	200	1000	bulk
HV-030X0250-11-11	11 / 11	3.0	250	1000	bulk
HV-030X0300-11-11	11 / 11	3.0	300	1000	bulk
HV-030X0350-11-11	11 / 11	3.0	350	500	bulk
HV-030X0400-11-11	11 / 11	3.0	400	500	bulk
HV-030X0500-11-11	11 / 11	3.0	500	500	bulk
HV-040X0060-11-11	11 / 11	4.0	60	1000	bulk
HV-040X0075-11-11	11 / 11	4.0	75	1000	bulk
HV-040X0100-11-11	11 / 11	4.0	100	1000	bulk
HV-040X0150-11-11	11 / 11	4.0	150	500	bulk
HV-040X0200-11-11	11 / 11	4.0	200	500	bulk
HV-040X0250-11-11	11 / 11	4.0	250	500	bulk
HV-040X0300-11-11	11 / 11	4.0	300	500	bulk
HV-040X0350-11-11	11 / 11	4.0	350	500	bulk
HV-040X0400-11-11	11 / 11	4.0	400	250	bulk
HV-040X0500-11-11	11 / 11	4.0	500	250	bulk

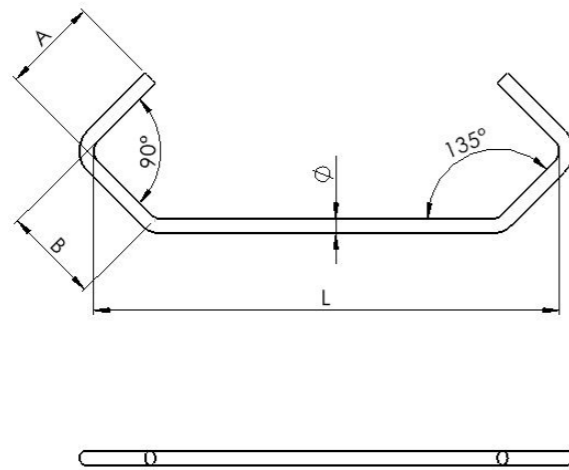
Packaging units may deviate due to production.



V-Hook

Ends = 15 mm

- » Material: S235JR
- » Other forms, materials and dimensions upon request (see also custom hooks and wire bending parts on page 100)



We do offer the following packing styles:



Please refer to the table on the following page for our standard packaging style.
Other types of packaging, which deviate from our standard, are possible for an additional charge.
If you have any questions, please do not hesitate to contact us.

Part Number	Ends = A/B (mm)	Diameter (mm)	Length = L (mm)	Bag	Packaging style
HV-015X0060-15-15	15 /15	1.5	60	2500	packed in bags
HV-015X0075-15-15	15 /15	1.5	75	2500	packed in bags
HV-015X0100-15-15	15 /15	1.5	100	2500	packed in bags
HV-015X0150-15-15	15 /15	1.5	150	2500	packed in bags
HV-015X0200-15-15	15 /15	1.5	200	2500	bulk
HV-015X0250-15-15	15 /15	1.5	250	2500	bulk
HV-020X0060-15-15	15 /15	2.0	60	2500	packed in bags
HV-020X0075-15-15	15 /15	2.0	75	2500	packed in bags
HV-020X0100-15-15	15 /15	2.0	100	2500	packed in bags
HV-020X0150-15-15	15 /15	2.0	150	2500	packed in bags
HV-020X0200-15-15	15 /15	2.0	200	2500	bulk
HV-020X0250-15-15	15 /15	2.0	250	2500	bulk
HV-020X0300-15-15	15 /15	2.0	300	2000	bulk
HV-020X0350-15-15	15 /15	2.0	350	2000	bulk
HV-020X0400-15-15	15 /15	2.0	400	2000	bulk
HV-030X0060-15-15	15 /15	3.0	60	2000	bulk
HV-030X0075-15-15	15 /15	3.0	75	2000	bulk
HV-030X0100-15-15	15 /15	3.0	100	1000	bulk
HV-030X0150-15-15	15 /15	3.0	150	1000	bulk
HV-030X0200-15-15	15 /15	3.0	200	1000	bulk
HV-030X0250-15-15	15 /15	3.0	250	1000	bulk
HV-030X0300-15-15	15 /15	3.0	300	1000	bulk
HV-030X0350-15-15	15 /15	3.0	350	500	bulk
HV-030X0400-15-15	15 /15	3.0	400	500	bulk
HV-030X0500-15-15	15 /15	3.0	500	500	bulk
HV-040X0060-15-15	15 /15	4.0	60	1000	bulk
HV-040X0075-15-15	15 /15	4.0	75	1000	bulk
HV-040X0100-15-15	15 /15	4.0	100	1000	bulk
HV-040X0150-15-15	15 /15	4.0	150	500	bulk
HV-040X0200-15-15	15 /15	4.0	200	500	bulk
HV-040X0250-15-15	15 /15	4.0	250	500	bulk
HV-040X0300-15-15	15 /15	4.0	300	500	bulk
HV-040X0350-15-15	15 /15	4.0	350	500	bulk
HV-040X0400-15-15	15 /15	4.0	400	250	bulk
HV-040X0500-15-15	15 /15	4.0	500	250	bulk

Packaging units may deviate due to production.

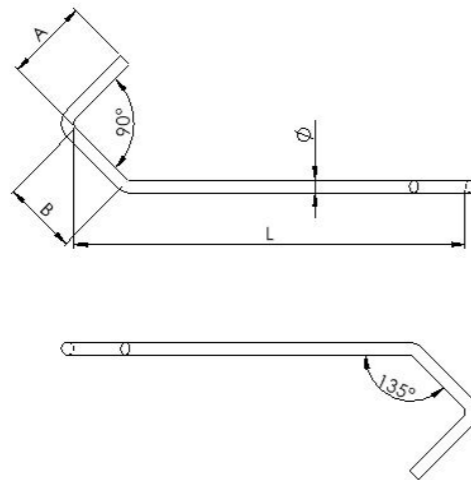
HV90



**V-Hook,
90° bent**

Ends = 20 mm

- » 90° bent
- » Material: S235JR
- » Other forms, materials and dimensions upon request (see also custom hooks and wire bending parts on page 100)



We do offer the following packing styles:



Please refer to the table on the following page for our standard packaging style.
Other types of packaging, which deviate from our standard, are possible for an additional charge.
If you have any questions, please do not hesitate to contact us.

HV90

Part Number	Ends = A/B (mm)	Diameter (mm)	Length = L (mm)	Bag	Packaging style
HV90-015X0060	20 / 20	1.5	60	2500	packed in bags
HV90-015X0075	20 / 20	1.5	75	2500	packed in bags
HV90-015X0100	20 / 20	1.5	100	2500	packed in bags
HV90-015X0150	20 / 20	1.5	150	2500	packed in bags
HV90-015X0200	20 / 20	1.5	200	2500	bulk
HV90-015X0250	20 / 20	1.5	250	2500	bulk
HV90-020X0060	20 / 20	2.0	60	2500	packed in bags
HV90-020X0075	20 / 20	2.0	75	2500	packed in bags
HV90-020X0100	20 / 20	2.0	100	2500	packed in bags
HV90-020X0150	20 / 20	2.0	150	2500	packed in bags
HV90-020X0200	20 / 20	2.0	200	2500	bulk
HV90-020X0250	20 / 20	2.0	250	2500	bulk
HV90-020X0300	20 / 20	2.0	300	2000	bulk
HV90-020X0350	20 / 20	2.0	350	2000	bulk
HV90-020X0400	20 / 20	2.0	400	2000	bulk
HV90-030X0060	20 / 20	3.0	60	2000	bulk
HV90-030X0075	20 / 20	3.0	75	2000	bulk
HV90-030X0100	20 / 20	3.0	100	1000	bulk
HV90-030X0150	20 / 20	3.0	150	1000	bulk
HV90-030X0200	20 / 20	3.0	200	1000	bulk
HV90-030X0250	20 / 20	3.0	250	1000	bulk
HV90-030X0300	20 / 20	3.0	300	1000	bulk
HV90-030X0350	20 / 20	3.0	350	500	bulk
HV90-030X0400	20 / 20	3.0	400	500	bulk
HV90-030X0500	20 / 20	3.0	500	500	bulk
HV90-040X0060	20 / 20	4.0	60	1000	bulk
HV90-040X0075	20 / 20	4.0	75	1000	bulk
HV90-040X0100	20 / 20	4.0	100	1000	bulk
HV90-040X0150	20 / 20	4.0	150	500	bulk
HV90-040X0200	20 / 20	4.0	200	500	bulk
HV90-040X0250	20 / 20	4.0	250	500	bulk
HV90-040X0300	20 / 20	4.0	300	500	bulk
HV90-040X0350	20 / 20	4.0	350	500	bulk
HV90-040X0400	20 / 20	4.0	400	250	bulk
HV90-040X0500	20 / 20	4.0	500	250	bulk

Packaging units may deviate due to production.

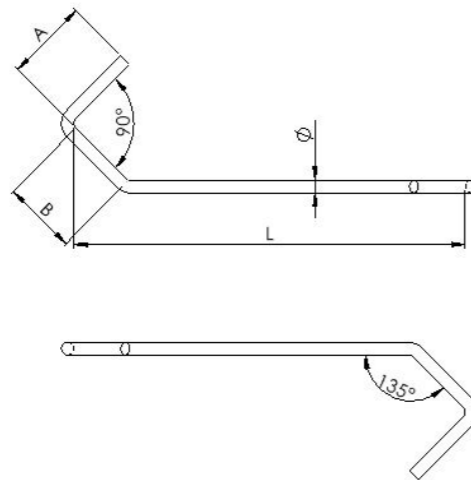
HV90



**V-Hook,
90° bent**

Ends = 11 mm

- » 90° bent
- » Material: S235JR
- » Other forms, materials and dimensions upon request (see also custom hooks and wire bending parts on page 100)



We do offer the following packing styles:



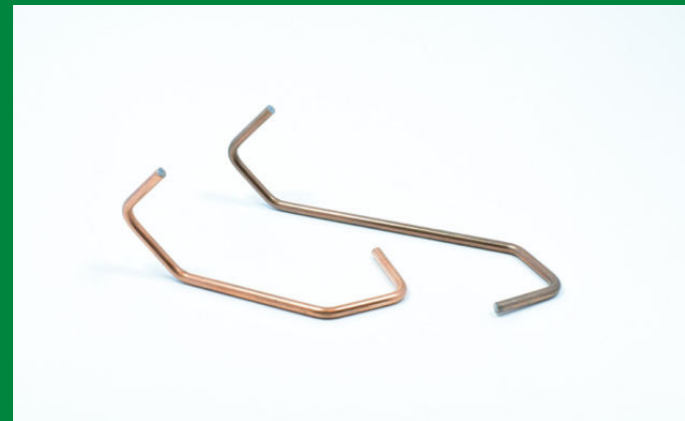
Please refer to the table on the following page for our standard packaging style.
Other types of packaging, which deviate from our standard, are possible for an additional charge.
If you have any questions, please do not hesitate to contact us.

HV90

Part Number	Ends = A/B (mm)	Diameter (mm)	Length = L (mm)	Bag	Packaging style
HV90-015X0060-11-11	11 /11	1.5	60	2500	packed in bags
HV90-015X0075-11-11	11 /11	1.5	75	2500	packed in bags
HV90-015X0100-11-11	11 /11	1.5	100	2500	packed in bags
HV90-015X0150-11-11	11 /11	1.5	150	2500	packed in bags
HV90-015X0200-11-11	11 /11	1.5	200	2500	bulk
HV90-015X0250-11-11	11 /11	1.5	250	2500	bulk
HV90-020X0060-11-11	11 /11	2.0	60	2500	packed in bags
HV90-020X0075-11-11	11 /11	2.0	75	2500	packed in bags
HV90-020X0100-11-11	11 /11	2.0	100	2500	packed in bags
HV90-020X0150-11-11	11 /11	2.0	150	2500	packed in bags
HV90-020X0200-11-11	11 /11	2.0	200	2500	bulk
HV90-020X0250-11-11	11 /11	2.0	250	2500	bulk
HV90-020X0300-11-11	11 /11	2.0	300	2000	bulk
HV90-020X0350-11-11	11 /11	2.0	350	2000	bulk
HV90-020X0400-11-11	11 /11	2.0	400	2000	bulk
HV90-030X0060-11-11	11 /11	3.0	60	2000	bulk
HV90-030X0075-11-11	11 /11	3.0	75	2000	bulk
HV90-030X0100-11-11	11 /11	3.0	100	1000	bulk
HV90-030X0150-11-11	11 /11	3.0	150	1000	bulk
HV90-030X0200-11-11	11 /11	3.0	200	1000	bulk
HV90-030X0250-11-11	11 /11	3.0	250	1000	bulk
HV90-030X0300-11-11	11 /11	3.0	300	1000	bulk
HV90-030X0350-11-11	11 /11	3.0	350	500	bulk
HV90-030X0400-11-11	11 /11	3.0	400	500	bulk
HV90-030X0500-11-11	11 /11	3.0	500	500	bulk
HV90-040X0060-11-11	11 /11	4.0	60	1000	bulk
HV90-040X0075-11-11	11 /11	4.0	75	1000	bulk
HV90-040X0100-11-11	11 /11	4.0	100	1000	bulk
HV90-040X0150-11-11	11 /11	4.0	150	500	bulk
HV90-040X0200-11-11	11 /11	4.0	200	500	bulk
HV90-040X0250-11-11	11 /11	4.0	250	500	bulk
HV90-040X0300-11-11	11 /11	4.0	300	500	bulk
HV90-040X0350-11-11	11 /11	4.0	350	500	bulk
HV90-040X0400-11-11	11 /11	4.0	400	250	bulk
HV90-040X0500-11-11	11 /11	4.0	500	250	bulk

Packaging units may deviate due to production.

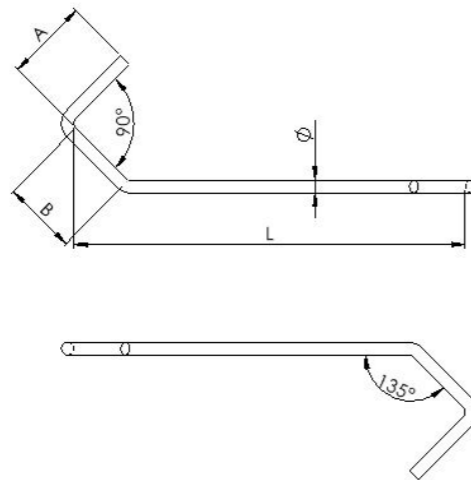
HV90



**V-Hook,
90° bent**

Ends = 15 mm

- » 90° bent
- » Material: S235JR
- » Other forms, materials and dimensions upon request (see also custom hooks and wire bending parts on page 100)



We do offer the following packing styles:

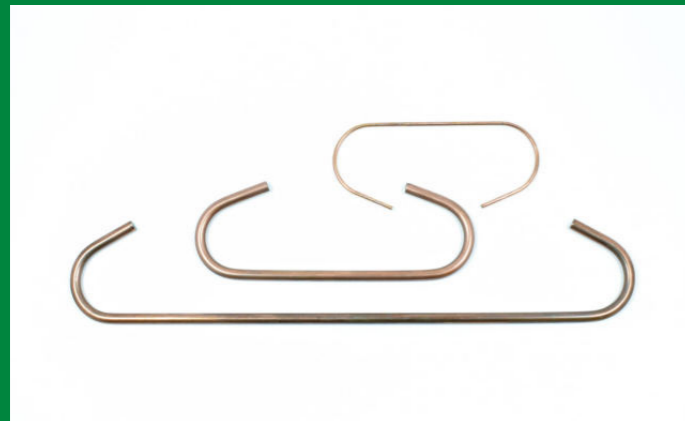


Please refer to the table on the following page for our standard packaging style.
Other types of packaging, which deviate from our standard, are possible for an additional charge.
If you have any questions, please do not hesitate to contact us.

HV90

Part Number	Ends = A/B (mm)	Diameter (mm)	Length = L (mm)	Bag	Packaging style
HV90-015X0060-15-15	15 /15	1.5	60	2500	packed in bags
HV90-015X0075-15-15	15 /15	1.5	75	2500	packed in bags
HV90-015X0100-15-15	15 /15	1.5	100	2500	packed in bags
HV90-015X0150-15-15	15 /15	1.5	150	2500	packed in bags
HV90-015X0200-15-15	15 /15	1.5	200	2500	bulk
HV90-015X0250-15-15	15 /15	1.5	250	2500	bulk
HV90-020X0060-15-15	15 /15	2.0	60	2500	packed in bags
HV90-020X0075-15-15	15 /15	2.0	75	2500	packed in bags
HV90-020X0100-15-15	15 /15	2.0	100	2500	packed in bags
HV90-020X0150-15-15	15 /15	2.0	150	2500	packed in bags
HV90-020X0200-15-15	15 /15	2.0	200	2500	bulk
HV90-020X0250-15-15	15 /15	2.0	250	2500	bulk
HV90-020X0300-15-15	15 /15	2.0	300	2000	bulk
HV90-020X0350-15-15	15 /15	2.0	350	2000	bulk
HV90-020X0400-15-15	15 /15	2.0	400	2000	bulk
HV90-030X0060-15-15	15 /15	3.0	60	2000	bulk
HV90-030X0075-15-15	15 /15	3.0	75	2000	bulk
HV90-030X0100-15-15	15 /15	3.0	100	1000	bulk
HV90-030X0150-15-15	15 /15	3.0	150	1000	bulk
HV90-030X0200-15-15	15 /15	3.0	200	1000	bulk
HV90-030X0250-15-15	15 /15	3.0	250	1000	bulk
HV90-030X0300-15-15	15 /15	3.0	300	1000	bulk
HV90-030X0350-15-15	15 /15	3.0	350	500	bulk
HV90-030X0400-15-15	15 /15	3.0	400	500	bulk
HV90-030X0500-15-15	15 /15	3.0	500	500	bulk
HV90-040X0060-15-15	15 /15	4.0	60	1000	bulk
HV90-040X0075-15-15	15 /15	4.0	75	1000	bulk
HV90-040X0100-15-15	15 /15	4.0	100	1000	bulk
HV90-040X0150-15-15	15 /15	4.0	150	500	bulk
HV90-040X0200-15-15	15 /15	4.0	200	500	bulk
HV90-040X0250-15-15	15 /15	4.0	250	500	bulk
HV90-040X0300-15-15	15 /15	4.0	300	500	bulk
HV90-040X0350-15-15	15 /15	4.0	350	500	bulk
HV90-040X0400-15-15	15 /15	4.0	400	250	bulk
HV90-040X0500-15-15	15 /15	4.0	500	250	bulk

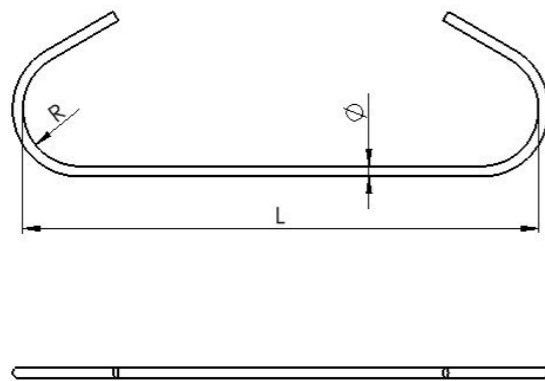
Packaging units may deviate due to production.



C-Hook

Radius = 11 mm

- » Material: S235JR
- » Other forms, materials and dimensions upon request (see also custom hooks and wire bending parts on page 100)



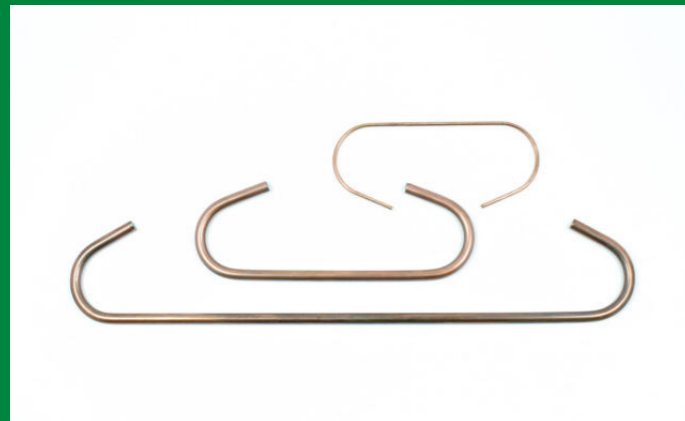
We do offer the following packing styles:



Please refer to the table on the following page for our standard packaging style.
Other types of packaging, which deviate from our standard, are possible for an additional charge.
If you have any questions, please do not hesitate to contact us.

Part Number	Radius = R (mm)	Diameter (mm)	Length = L (mm)	Bag	Packaging style
HC-015X0060	R = 11	1.5	60	2500	packed in bags
HC-015X0075	R = 11	1.5	75	2500	packed in bags
HC-015X0100	R = 11	1.5	100	2500	packed in bags
HC-015X0150	R = 11	1.5	150	2500	packed in bags
HC-015X0200	R = 11	1.5	200	2500	bulk
HC-015X0250	R = 11	1.5	250	2500	bulk
HC-020X0060	R = 11	2.0	60	2500	packed in bags
HC-020X0075	R = 11	2.0	75	2500	packed in bags
HC-020X0100	R = 11	2.0	100	2500	packed in bags
HC-020X0150	R = 11	2.0	150	2500	packed in bags
HC-020X0200	R = 11	2.0	200	2500	bulk
HC-020X0250	R = 11	2.0	250	2500	bulk
HC-020X0300	R = 11	2.0	300	2000	bulk
HC-020X0350	R = 11	2.0	350	2000	bulk
HC-020X0400	R = 11	2.0	400	2000	bulk
HC-030X0060	R = 11	3.0	60	2000	bulk
HC-030X0075	R = 11	3.0	75	2000	bulk
HC-030X0100	R = 11	3.0	100	1000	bulk
HC-030X0150	R = 11	3.0	150	1000	bulk
HC-030X0200	R = 11	3.0	200	1000	bulk
HC-030X0250	R = 11	3.0	250	1000	bulk
HC-030X0300	R = 11	3.0	300	1000	bulk
HC-030X0350	R = 11	3.0	350	500	bulk
HC-030X0400	R = 11	3.0	400	500	bulk
HC-030X0500	R = 11	3.0	500	500	bulk
HC-040X0060	R = 11	4.0	60	1000	bulk
HC-040X0075	R = 11	4.0	75	1000	bulk
HC-040X0100	R = 11	4.0	100	1000	bulk
HC-040X0150	R = 11	4.0	150	500	bulk
HC-040X0200	R = 11	4.0	200	500	bulk
HC-040X0250	R = 11	4.0	250	500	bulk
HC-040X0300	R = 11	4.0	300	500	bulk
HC-040X0350	R = 11	4.0	350	500	bulk
HC-040X0400	R = 11	4.0	400	250	bulk
HC-040X0500	R = 11	4.0	500	250	bulk

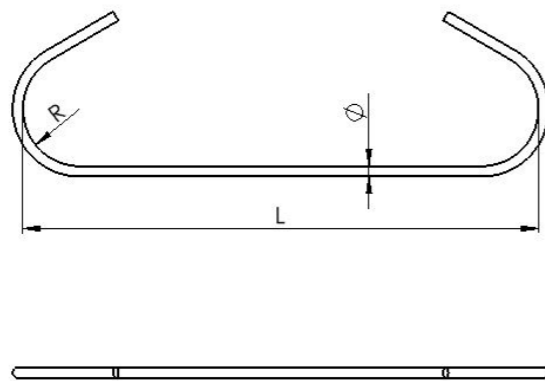
Packaging units may deviate due to production.



C-Hook

Radius = 6 mm

- » Material: S235JR
- » Other forms, materials and dimensions upon request (see also custom hooks and wire bending parts on page 100)



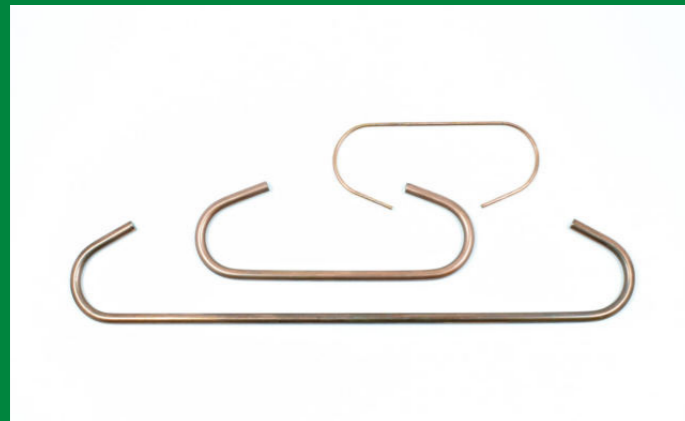
We do offer the following packing styles:



Please refer to the table on the following page for our standard packaging style.
Other types of packaging, which deviate from our standard, are possible for an additional charge.
If you have any questions, please do not hesitate to contact us.

Part Number	Radius = R (mm)	Diameter (mm)	Length = L (mm)	Bag	Packaging style
HC-015X0060-R6	R = 6	1.5	60	2500	packed in bags
HC-015X0075-R6	R = 6	1.5	75	2500	packed in bags
HC-015X0100-R6	R = 6	1.5	100	2500	packed in bags
HC-015X0150-R6	R = 6	1.5	150	2500	packed in bags
HC-015X0200-R6	R = 6	1.5	200	2500	bulk
HC-015X0250-R6	R = 6	1.5	250	2500	bulk
HC-020X0060-R6	R = 6	2.0	60	2500	packed in bags
HC-020X0075-R6	R = 6	2.0	75	2500	packed in bags
HC-020X0100-R6	R = 6	2.0	100	2500	packed in bags
HC-020X0150-R6	R = 6	2.0	150	2500	packed in bags
HC-020X0200-R6	R = 6	2.0	200	2500	bulk
HC-020X0250-R6	R = 6	2.0	250	2500	bulk
HC-020X0300-R6	R = 6	2.0	300	2000	bulk
HC-020X0350-R6	R = 6	2.0	350	2000	bulk
HC-020X0400-R6	R = 6	2.0	400	2000	bulk
HC-030X0060-R6	R = 6	3.0	60	2000	bulk
HC-030X0075-R6	R = 6	3.0	75	2000	bulk
HC-030X0100-R6	R = 6	3.0	100	1000	bulk
HC-030X0150-R6	R = 6	3.0	150	1000	bulk
HC-030X0200-R6	R = 6	3.0	200	1000	bulk
HC-030X0250-R6	R = 6	3.0	250	1000	bulk
HC-030X0300-R6	R = 6	3.0	300	1000	bulk
HC-030X0350-R6	R = 6	3.0	350	500	bulk
HC-030X0400-R6	R = 6	3.0	400	500	bulk
HC-030X0500-R6	R = 6	3.0	500	500	bulk
HC-040X0060-R6	R = 6	4.0	60	1000	bulk
HC-040X0075-R6	R = 6	4.0	75	1000	bulk
HC-040X0100-R6	R = 6	4.0	100	1000	bulk
HC-040X0150-R6	R = 6	4.0	150	500	bulk
HC-040X0200-R6	R = 6	4.0	200	500	bulk
HC-040X0250-R6	R = 6	4.0	250	500	bulk
HC-040X0300-R6	R = 6	4.0	300	500	bulk
HC-040X0350-R6	R = 6	4.0	350	500	bulk
HC-040X0400-R6	R = 6	4.0	400	250	bulk
HC-040X0500-R6	R = 6	4.0	500	250	bulk

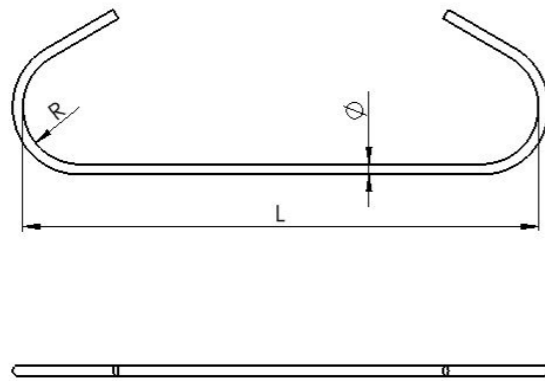
Packaging units may deviate due to production.



C-Hook

Radius = 18 mm

- » Material: S235JR
- » Other forms, materials and dimensions upon request (see also custom hooks and wire bending parts on page 100)



We do offer the following packing styles:



Please refer to the table on the following page for our standard packaging style.
Other types of packaging, which deviate from our standard, are possible for an additional charge.
If you have any questions, please do not hesitate to contact us.

Part Number	Radius = R (mm)	Diameter (mm)	Length = L (mm)	Bag	Packaging style
HC-015X0060-R18	R = 18	1.5	60	2500	packed in bags
HC-015X0075-R18	R = 18	1.5	75	2500	packed in bags
HC-015X0100-R18	R = 18	1.5	100	2500	packed in bags
HC-015X0150-R18	R = 18	1.5	150	2500	packed in bags
HC-015X0200-R18	R = 18	1.5	200	2500	bulk
HC-015X0250-R18	R = 18	1.5	250	2500	bulk
HC-020X0060-R18	R = 18	2.0	60	2500	packed in bags
HC-020X0075-R18	R = 18	2.0	75	2500	packed in bags
HC-020X0100-R18	R = 18	2.0	100	2500	packed in bags
HC-020X0150-R18	R = 18	2.0	150	2500	packed in bags
HC-020X0200-R18	R = 18	2.0	200	2500	bulk
HC-020X0250-R18	R = 18	2.0	250	2500	bulk
HC-020X0300-R18	R = 18	2.0	300	2000	bulk
HC-020X0350-R18	R = 18	2.0	350	2000	bulk
HC-020X0400-R18	R = 18	2.0	400	2000	bulk
HC-030X0060-R18	R = 18	3.0	60	2000	bulk
HC-030X0075-R18	R = 18	3.0	75	2000	bulk
HC-030X0100-R18	R = 18	3.0	100	1000	bulk
HC-030X0150-R18	R = 18	3.0	150	1000	bulk
HC-030X0200-R18	R = 18	3.0	200	1000	bulk
HC-030X0250-R18	R = 18	3.0	250	1000	bulk
HC-030X0300-R18	R = 18	3.0	300	1000	bulk
HC-030X0350-R18	R = 18	3.0	350	500	bulk
HC-030X0400-R18	R = 18	3.0	400	500	bulk
HC-030X0500-R18	R = 18	3.0	500	500	bulk
HC-040X0060-R18	R = 18	4.0	60	1000	bulk
HC-040X0075-R18	R = 18	4.0	75	1000	bulk
HC-040X0100-R18	R = 18	4.0	100	1000	bulk
HC-040X0150-R18	R = 18	4.0	150	500	bulk
HC-040X0200-R18	R = 18	4.0	200	500	bulk
HC-040X0250-R18	R = 18	4.0	250	500	bulk
HC-040X0300-R18	R = 18	4.0	300	500	bulk
HC-040X0350-R18	R = 18	4.0	350	500	bulk
HC-040X0400-R18	R = 18	4.0	400	250	bulk
HC-040X0500-R18	R = 18	4.0	500	250	bulk

Packaging units may deviate due to production.

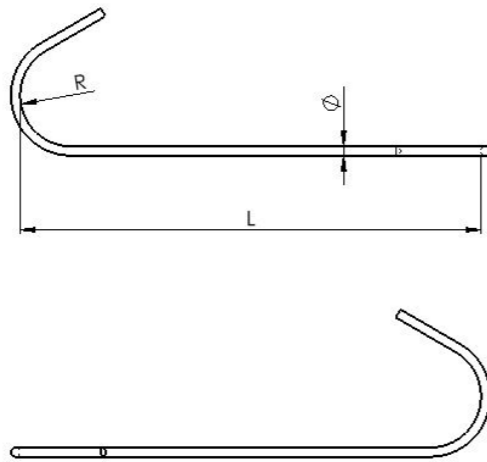
HC90



**C-Hook,
90° bent**

Radius = 11 mm

- » 90° bent
- » Material: S235JR
- » Other forms, materials and dimensions upon request
(see also custom hooks and wire bending parts
on page 100)



We do offer the following packing styles:



Please refer to the table on the following page for our standard packaging style.
Other types of packaging, which deviate from our standard, are possible for an additional charge.
If you have any questions, please do not hesitate to contact us.

HC90

Part Number	Radius = R (mm)	Diameter (mm)	Length = L (mm)	Bag	Packaging style
HC90-015X0060	R = 11	1.5	60	2500	packed in bags
HC90-015X0075	R = 11	1.5	75	2500	packed in bags
HC90-015X0100	R = 11	1.5	100	2500	packed in bags
HC90-015X0150	R = 11	1.5	150	2500	packed in bags
HC90-015X0200	R = 11	1.5	200	2500	bulk
HC90-015X0250	R = 11	1.5	250	2500	bulk
HC90-020X0060	R = 11	2.0	60	2500	packed in bags
HC90-020X0075	R = 11	2.0	75	2500	packed in bags
HC90-020X0100	R = 11	2.0	100	2500	packed in bags
HC90-020X0150	R = 11	2.0	150	2500	packed in bags
HC90-020X0200	R = 11	2.0	200	2500	bulk
HC90-020X0250	R = 11	2.0	250	2500	bulk
HC90-020X0300	R = 11	2.0	300	2000	bulk
HC90-020X0350	R = 11	2.0	350	2000	bulk
HC90-020X0400	R = 11	2.0	400	2000	bulk
HC90-030X0060	R = 11	3.0	60	2000	bulk
HC90-030X0075	R = 11	3.0	75	2000	bulk
HC90-030X0100	R = 11	3.0	100	1000	bulk
HC90-030X0150	R = 11	3.0	150	1000	bulk
HC90-030X0200	R = 11	3.0	200	1000	bulk
HC90-030X0250	R = 11	3.0	250	1000	bulk
HC90-030X0300	R = 11	3.0	300	1000	bulk
HC90-030X0350	R = 11	3.0	350	500	bulk
HC90-030X0400	R = 11	3.0	400	500	bulk
HC90-030X0500	R = 11	3.0	500	500	bulk
HC90-040X0060	R = 11	4.0	60	1000	bulk
HC90-040X0075	R = 11	4.0	75	1000	bulk
HC90-040X0100	R = 11	4.0	100	1000	bulk
HC90-040X0150	R = 11	4.0	150	500	bulk
HC90-040X0200	R = 11	4.0	200	500	bulk
HC90-040X0250	R = 11	4.0	250	500	bulk
HC90-040X0300	R = 11	4.0	300	500	bulk
HC90-040X0350	R = 11	4.0	350	500	bulk
HC90-040X0400	R = 11	4.0	400	250	bulk
HC90-040X0500	R = 11	4.0	500	250	bulk

Packaging units may deviate due to production.

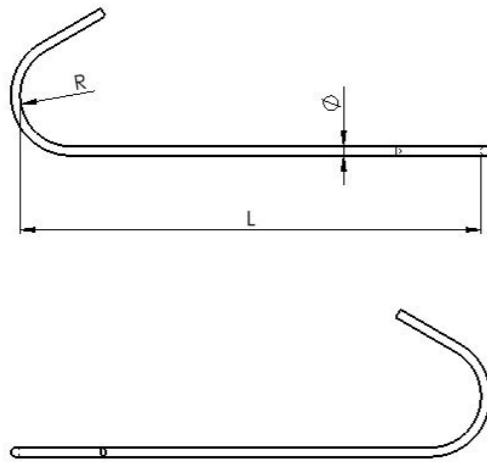
HC90



**C-Hook,
90° bent**

Radius = 6 mm

- » 90° bent
- » Material: S235JR
- » Other forms, materials and dimensions upon request (see also custom hooks and wire bending parts on page 100)



We do offer the following packing styles:



Please refer to the table on the following page for our standard packaging style.
Other types of packaging, which deviate from our standard, are possible for an additional charge.
If you have any questions, please do not hesitate to contact us.

HC90

Part Number	Radius = R (mm)	Diameter (mm)	Length = L (mm)	Bag	Packaging style
HC90-015X0060-R6	R = 6	1.5	60	2500	packed in bags
HC90-015X0075-R6	R = 6	1.5	75	2500	packed in bags
HC90-015X0100-R6	R = 6	1.5	100	2500	packed in bags
HC90-015X0150-R6	R = 6	1.5	150	2500	packed in bags
HC90-015X0200-R6	R = 6	1.5	200	2500	bulk
HC90-015X0250-R6	R = 6	1.5	250	2500	bulk
HC90-020X0060-R6	R = 6	2.0	60	2500	packed in bags
HC90-020X0075-R6	R = 6	2.0	75	2500	packed in bags
HC90-020X0100-R6	R = 6	2.0	100	2500	packed in bags
HC90-020X0150-R6	R = 6	2.0	150	2500	packed in bags
HC90-020X0200-R6	R = 6	2.0	200	2500	bulk
HC90-020X0250-R6	R = 6	2.0	250	2500	bulk
HC90-020X0300-R6	R = 6	2.0	300	2000	bulk
HC90-020X0350-R6	R = 6	2.0	350	2000	bulk
HC90-020X0400-R6	R = 6	2.0	400	2000	bulk
HC90-030X0060-R6	R = 6	3.0	60	2000	bulk
HC90-030X0075-R6	R = 6	3.0	75	2000	bulk
HC90-030X0100-R6	R = 6	3.0	100	1000	bulk
HC90-030X0150-R6	R = 6	3.0	150	1000	bulk
HC90-030X0200-R6	R = 6	3.0	200	1000	bulk
HC90-030X0250-R6	R = 6	3.0	250	1000	bulk
HC90-030X0300-R6	R = 6	3.0	300	1000	bulk
HC90-030X0350-R6	R = 6	3.0	350	500	bulk
HC90-030X0400-R6	R = 6	3.0	400	500	bulk
HC90-030X0500-R6	R = 6	3.0	500	500	bulk
HC90-040X0060-R6	R = 6	4.0	60	1000	bulk
HC90-040X0075-R6	R = 6	4.0	75	1000	bulk
HC90-040X0100-R6	R = 6	4.0	100	1000	bulk
HC90-040X0150-R6	R = 6	4.0	150	500	bulk
HC90-040X0200-R6	R = 6	4.0	200	500	bulk
HC90-040X0250-R6	R = 6	4.0	250	500	bulk
HC90-040X0300-R6	R = 6	4.0	300	500	bulk
HC90-040X0350-R6	R = 6	4.0	350	500	bulk
HC90-040X0400-R6	R = 6	4.0	400	250	bulk
HC90-040X0500-R6	R = 6	4.0	500	250	bulk

Packaging units may deviate due to production.

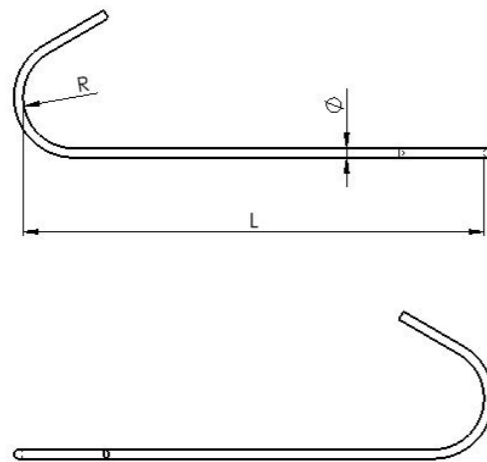
HC90



**C-Hook,
90° bent**

Radius = 18 mm

- » 90° bent
- » Material: S235JR
- » Other forms, materials and dimensions upon request
(see also custom hooks and wire bending parts
on page 100)



We do offer the following packing styles:



Please refer to the table on the following page for our standard packaging style.
Other types of packaging, which deviate from our standard, are possible for an additional charge.
If you have any questions, please do not hesitate to contact us.

HC90

Part Number	Radius = R (mm)	Diameter (mm)	Length = L (mm)	Bag	Packaging style
HC90-015X0060-R18	R = 18	1.5	60	2500	packed in bags
HC90-015X0075-R18	R = 18	1.5	75	2500	packed in bags
HC90-015X0100-R18	R = 18	1.5	100	2500	packed in bags
HC90-015X0150-R18	R = 18	1.5	150	2500	packed in bags
HC90-015X0200-R18	R = 18	1.5	200	2500	bulk
HC90-015X0250-R18	R = 18	1.5	250	2500	bulk
HC90-020X0060-R18	R = 18	2.0	60	2500	packed in bags
HC90-020X0075-R18	R = 18	2.0	75	2500	packed in bags
HC90-020X0100-R18	R = 18	2.0	100	2500	packed in bags
HC90-020X0150-R18	R = 18	2.0	150	2500	packed in bags
HC90-020X0200-R18	R = 18	2.0	200	2500	bulk
HC90-020X0250-R18	R = 18	2.0	250	2500	bulk
HC90-020X0300-R18	R = 18	2.0	300	2000	bulk
HC90-020X0350-R18	R = 18	2.0	350	2000	bulk
HC90-020X0400-R18	R = 18	2.0	400	2000	bulk
HC90-030X0060-R18	R = 18	3.0	60	2000	bulk
HC90-030X0075-R18	R = 18	3.0	75	2000	bulk
HC90-030X0100-R18	R = 18	3.0	100	1000	bulk
HC90-030X0150-R18	R = 18	3.0	150	1000	bulk
HC90-030X0200-R18	R = 18	3.0	200	1000	bulk
HC90-030X0250-R18	R = 18	3.0	250	1000	bulk
HC90-030X0300-R18	R = 18	3.0	300	1000	bulk
HC90-030X0350-R18	R = 18	3.0	350	500	bulk
HC90-030X0400-R18	R = 18	3.0	400	500	bulk
HC90-030X0500-R18	R = 18	3.0	500	500	bulk
HC90-040X0060-R18	R = 18	4.0	60	1000	bulk
HC90-040X0075-R18	R = 18	4.0	75	1000	bulk
HC90-040X0100-R18	R = 18	4.0	100	1000	bulk
HC90-040X0150-R18	R = 18	4.0	150	500	bulk
HC90-040X0200-R18	R = 18	4.0	200	500	bulk
HC90-040X0250-R18	R = 18	4.0	250	500	bulk
HC90-040X0300-R18	R = 18	4.0	300	500	bulk
HC90-040X0350-R18	R = 18	4.0	350	500	bulk
HC90-040X0400-R18	R = 18	4.0	400	250	bulk
HC90-040X0500-R18	R = 18	4.0	500	250	bulk

Packaging units may deviate due to production.

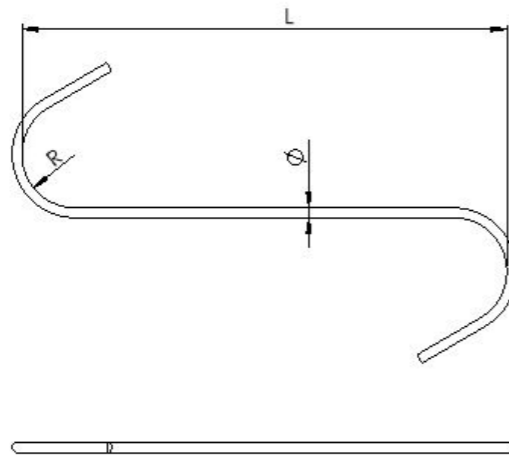
HC180



S-Hook

Radius = 11 mm

- » 180° bent
- » Material: S235JR
- » Other forms, materials and dimensions upon request (see also custom hooks and wire bending parts on page 100)



We do offer the following packing styles:



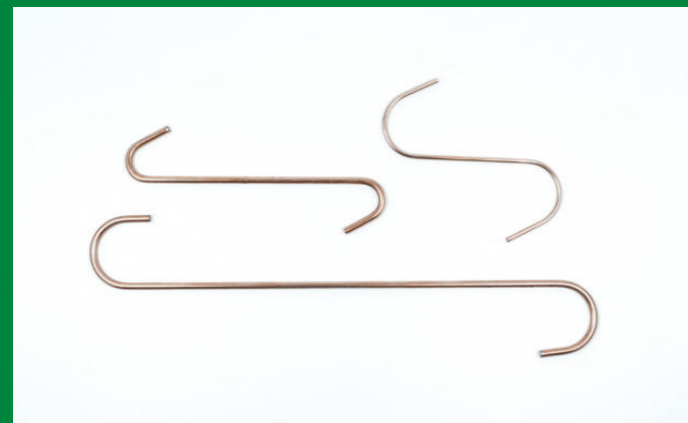
Please refer to the table on the following page for our standard packaging style.
Other types of packaging, which deviate from our standard, are possible for an additional charge.
If you have any questions, please do not hesitate to contact us.

HC180

Part Number	Radius = R (mm)	Diameter (mm)	Length = L (mm)	Bag	Packaging style
HC180-015X0060	R = 11	1.5	60	2500	packed in bags
HC180-015X0075	R = 11	1.5	75	2500	packed in bags
HC180-015X0100	R = 11	1.5	100	2500	packed in bags
HC180-015X0150	R = 11	1.5	150	2500	packed in bags
HC180-015X0200	R = 11	1.5	200	2500	bulk
HC180-015X0250	R = 11	1.5	250	2500	bulk
HC180-020X0060	R = 11	2.0	60	2500	packed in bags
HC180-020X0075	R = 11	2.0	75	2500	packed in bags
HC180-020X0100	R = 11	2.0	100	2500	packed in bags
HC180-020X0150	R = 11	2.0	150	2500	packed in bags
HC180-020X0200	R = 11	2.0	200	2500	bulk
HC180-020X0250	R = 11	2.0	250	2500	bulk
HC180-020X0300	R = 11	2.0	300	2000	bulk
HC180-020X0350	R = 11	2.0	350	2000	bulk
HC180-020X0400	R = 11	2.0	400	2000	bulk
HC180-030X0060	R = 11	3.0	60	2000	bulk
HC180-030X0075	R = 11	3.0	75	2000	bulk
HC180-030X0100	R = 11	3.0	100	1000	bulk
HC180-030X0150	R = 11	3.0	150	1000	bulk
HC180-030X0200	R = 11	3.0	200	1000	bulk
HC180-030X0250	R = 11	3.0	250	1000	bulk
HC180-030X0300	R = 11	3.0	300	1000	bulk
HC180-030X0350	R = 11	3.0	350	500	bulk
HC180-030X0400	R = 11	3.0	400	500	bulk
HC180-030X0500	R = 11	3.0	500	500	bulk
HC180-040X0060	R = 11	4.0	60	1000	bulk
HC180-040X0075	R = 11	4.0	75	1000	bulk
HC180-040X0100	R = 11	4.0	100	1000	bulk
HC180-040X0150	R = 11	4.0	150	500	bulk
HC180-040X0200	R = 11	4.0	200	500	bulk
HC180-040X0250	R = 11	4.0	250	500	bulk
HC180-040X0300	R = 11	4.0	300	500	bulk
HC180-040X0350	R = 11	4.0	350	500	bulk
HC180-040X0400	R = 11	4.0	400	250	bulk
HC180-040X0500	R = 11	4.0	500	250	bulk

Packaging units may deviate due to production.

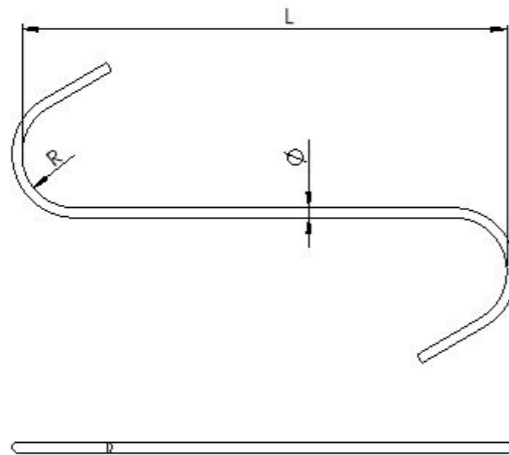
HC180



S-Hook

Radius = 6 mm

- » 180° bent
- » Material: S235JR
- » Other forms, materials and dimensions upon request (see also custom hooks and wire bending parts on page 100)



We do offer the following packing styles:



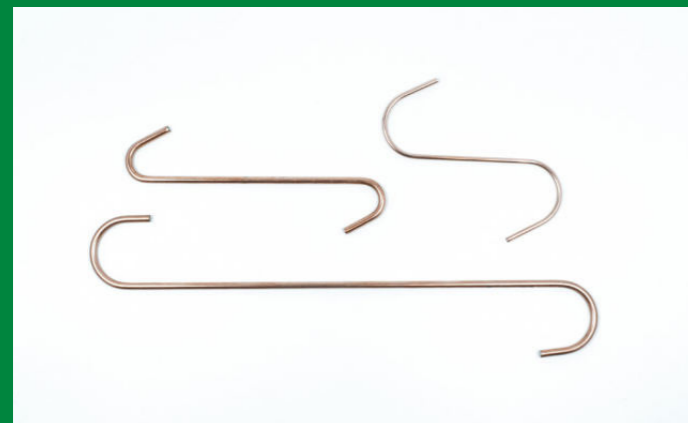
Please refer to the table on the following page for our standard packaging style.
Other types of packaging, which deviate from our standard, are possible for an additional charge.
If you have any questions, please do not hesitate to contact us.

HC180

Part Number	Radius = R (mm)	Diameter (mm)	Length = L (mm)	Bag	Packaging style
HC180-015X0060-R6	R = 6	1.5	60	2500	packed in bags
HC180-015X0075-R6	R = 6	1.5	75	2500	packed in bags
HC180-015X0100-R6	R = 6	1.5	100	2500	packed in bags
HC180-015X0150-R6	R = 6	1.5	150	2500	packed in bags
HC180-015X0200-R6	R = 6	1.5	200	2500	bulk
HC180-015X0250-R6	R = 6	1.5	250	2500	bulk
HC180-020X0060-R6	R = 6	2.0	60	2500	packed in bags
HC180-020X0075-R6	R = 6	2.0	75	2500	packed in bags
HC180-020X0100-R6	R = 6	2.0	100	2500	packed in bags
HC180-020X0150-R6	R = 6	2.0	150	2500	packed in bags
HC180-020X0200-R6	R = 6	2.0	200	2500	bulk
HC180-020X0250-R6	R = 6	2.0	250	2500	bulk
HC180-020X0300-R6	R = 6	2.0	300	2000	bulk
HC180-020X0350-R6	R = 6	2.0	350	2000	bulk
HC180-020X0400-R6	R = 6	2.0	400	2000	bulk
HC180-030X0060-R6	R = 6	3.0	60	2000	bulk
HC180-030X0075-R6	R = 6	3.0	75	2000	bulk
HC180-030X0100-R6	R = 6	3.0	100	1000	bulk
HC180-030X0150-R6	R = 6	3.0	150	1000	bulk
HC180-030X0200-R6	R = 6	3.0	200	1000	bulk
HC180-030X0250-R6	R = 6	3.0	250	1000	bulk
HC180-030X0300-R6	R = 6	3.0	300	1000	bulk
HC180-030X0350-R6	R = 6	3.0	350	500	bulk
HC180-030X0400-R6	R = 6	3.0	400	500	bulk
HC180-030X0500-R6	R = 6	3.0	500	500	bulk
HC180-040X0060-R6	R = 6	4.0	60	1000	bulk
HC180-040X0075-R6	R = 6	4.0	75	1000	bulk
HC180-040X0100-R6	R = 6	4.0	100	1000	bulk
HC180-040X0150-R6	R = 6	4.0	150	500	bulk
HC180-040X0200-R6	R = 6	4.0	200	500	bulk
HC180-040X0250-R6	R = 6	4.0	250	500	bulk
HC180-040X0300-R6	R = 6	4.0	300	500	bulk
HC180-040X0350-R6	R = 6	4.0	350	500	bulk
HC180-040X0400-R6	R = 6	4.0	400	250	bulk
HC180-040X0500-R6	R = 6	4.0	500	250	bulk

Packaging units may deviate due to production.

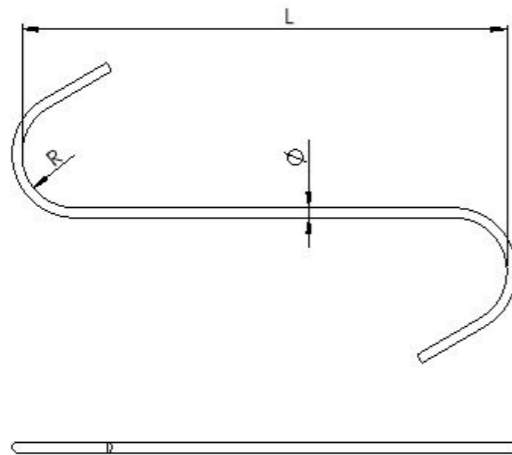
HC180



S-Hook

Radius = 18 mm

- » 180° bent
- » Material: S235JR
- » Other forms, materials and dimensions upon request (see also custom hooks and wire bending parts on page 100)



We do offer the following packing styles:



Please refer to the table on the following page for our standard packaging style.
Other types of packaging, which deviate from our standard, are possible for an additional charge.
If you have any questions, please do not hesitate to contact us.

HC180

Part Number	Radius = R (mm)	Diameter (mm)	Length = L (mm)	Bag	Packaging style
HC180-015X0060-R18	R = 18	1.5	60	2500	packed in bags
HC180-015X0075-R18	R = 18	1.5	75	2500	packed in bags
HC180-015X0100-R18	R = 18	1.5	100	2500	packed in bags
HC180-015X0150-R18	R = 18	1.5	150	2500	packed in bags
HC180-015X0200-R18	R = 18	1.5	200	2500	bulk
HC180-015X0250-R18	R = 18	1.5	250	2500	bulk
HC180-020X0060-R18	R = 18	2.0	60	2500	packed in bags
HC180-020X0075-R18	R = 18	2.0	75	2500	packed in bags
HC180-020X0100-R18	R = 18	2.0	100	2500	packed in bags
HC180-020X0150-R18	R = 18	2.0	150	2500	packed in bags
HC180-020X0200-R18	R = 18	2.0	200	2500	bulk
HC180-020X0250-R18	R = 18	2.0	250	2500	bulk
HC180-020X0300-R18	R = 18	2.0	300	2000	bulk
HC180-020X0350-R18	R = 18	2.0	350	2000	bulk
HC180-020X0400-R18	R = 18	2.0	400	2000	bulk
HC180-030X0060-R18	R = 18	3.0	60	2000	bulk
HC180-030X0075-R18	R = 18	3.0	75	2000	bulk
HC180-030X0100-R18	R = 18	3.0	100	1000	bulk
HC180-030X0150-R18	R = 18	3.0	150	1000	bulk
HC180-030X0200-R18	R = 18	3.0	200	1000	bulk
HC180-030X0250-R18	R = 18	3.0	250	1000	bulk
HC180-030X0300-R18	R = 18	3.0	300	1000	bulk
HC180-030X0350-R18	R = 18	3.0	350	500	bulk
HC180-030X0400-R18	R = 18	3.0	400	500	bulk
HC180-030X0500-R18	R = 18	3.0	500	500	bulk
HC180-040X0060-R18	R = 18	4.0	60	1000	bulk
HC180-040X0075-R18	R = 18	4.0	75	1000	bulk
HC180-040X0100-R18	R = 18	4.0	100	1000	bulk
HC180-040X0150-R18	R = 18	4.0	150	500	bulk
HC180-040X0200-R18	R = 18	4.0	200	500	bulk
HC180-040X0250-R18	R = 18	4.0	250	500	bulk
HC180-040X0300-R18	R = 18	4.0	300	500	bulk
HC180-040X0350-R18	R = 18	4.0	350	500	bulk
HC180-040X0400-R18	R = 18	4.0	400	250	bulk
HC180-040X0500-R18	R = 18	4.0	500	250	bulk

Packaging units may deviate due to production.

Custom hooks and

wire parts



Due to our large and modern machine park, we offer you all kind of painting hooks and wire parts outside our standard range.

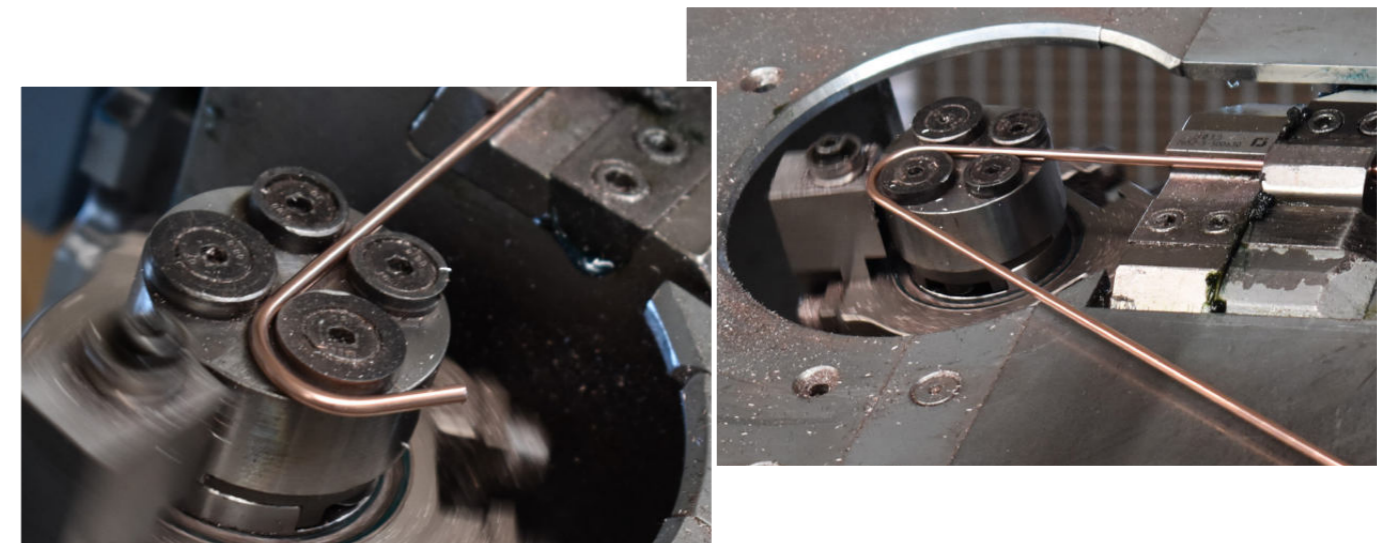
The hooks and wire parts can be made for you in two and three dimensions without tooling costs.

These are available in the wire diameters 1,1 mm - 30 mm, as well as in the lengths 20 to 1000 mm.

For our hooks and wire parts we mainly use the following materials:

- » S235, copper plated wire
- » Steel
- » 1.4310, Spring Steel
- » Spring Steel, Type B
- » 1.4301, Stainless Steel
- » Aluminum

Other materials are available on request.



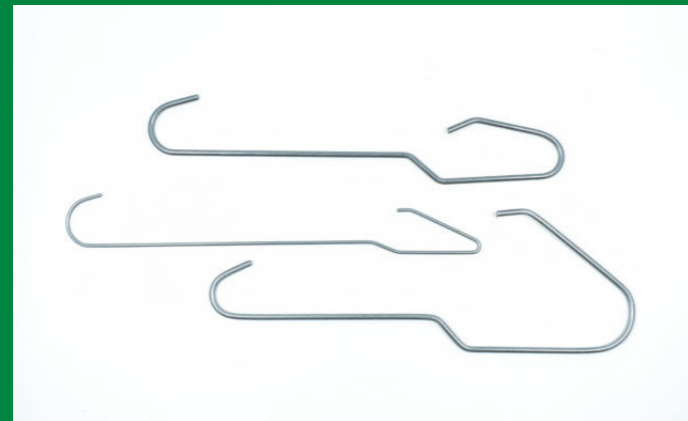
Custom parts are supplied as standard with the packaging style **bulk**.

Other packaging styles are possible with additional upcharge.

If you have further question, do not hesitate to contact us.

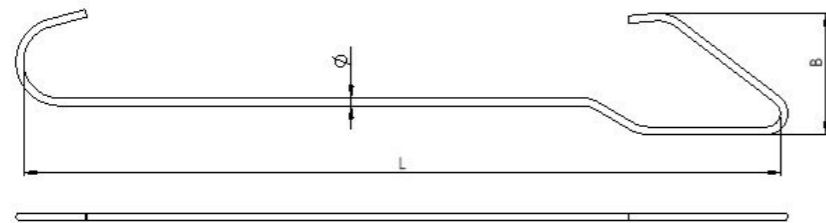


PPH1



Pipe and profile hooks cranked

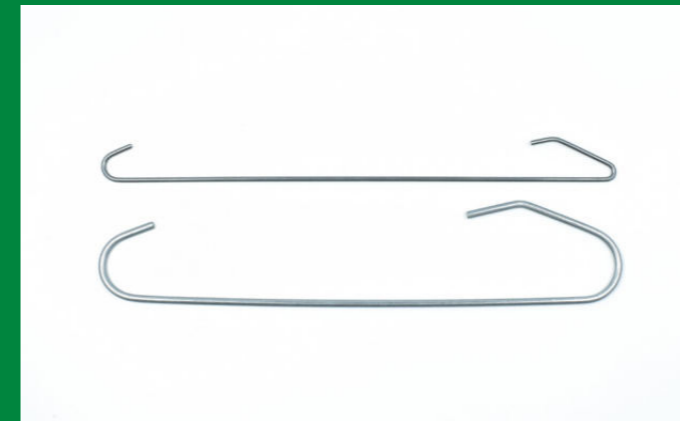
- » flat lying
- » Material: Spring Steel
- » For vertical suspension of pipes and profiles
- » Hook runs up the center of the opening of the pipe/profile to be coated



Part Number	Suitable for opening (mm)	Diameter (mm)	Length = L (mm)	Outside dimension = B (mm)	Bag
PPH1-020X0200-10	10	2.0	200	18	500
PPH1-020X0200-20	20	2.0	200	28	500
PPH1-030X0200-30	30	3.0	200	36	250

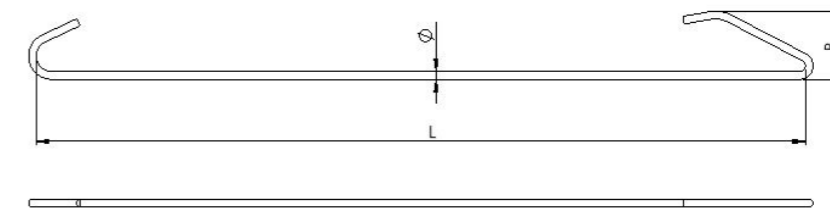
Packaging units may deviate due to production.

PPH2



Pipe and profile hooks straight

- » flat lying
- » Material: Spring Steel
- » For vertical suspension of pipes and profiles
- » Hook lies on the inside of the tube/profile to be coated



Part Number	Suitable for opening (mm)	Diameter (mm)	Length = L (mm)	Outside dimension = B (mm)	Bag
PPH2-020X0200-10	10	2.0	200	18	500
PPH2-020X0200-20	20	2.0	200	28	500
PPH2-030X0200-30	30	3.0	200	42	400

Packaging units may deviate due to production.

CLAW



CLAW Hooks

- » Designed to handle the most unusual of hanging situations
- » Their unique clamping action and strong contact points allow even the most unconventional of items to be hung
- » Three different sizes available:
 Claw 200 - light loads up to 2 kg
 Claw 300 - medium-heavy loads up to 4 kg
 Claw 400 - heavy loads up to 18 kg

Part Number	Diameter (mm)	Length (mm)	Diameter (in)	Length (in)	Contact points	Bag
CLAW200	2.0	60.0	0.080	2.4	3	50
CLAW300	3.0	120.0	0.120	4.8	3	50
CLAW400	4.0	165.0	0.160	6.5	3	50

SWIVEL



Swivel Hook

- » **(R) & (V) - series**
- » Cold rolled steel construction
- » Ball bearings ensure smooth rotation even under loading
- » R-Series = round suspension point
- » V-Series = square suspension point

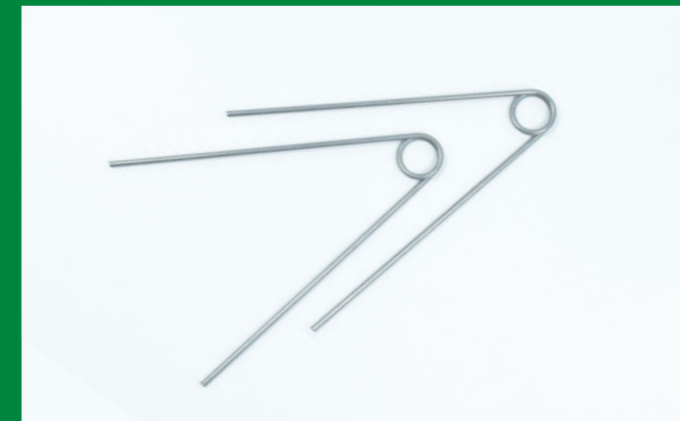
Part Number	Load capacity (kg)	Rotation	Bag
SWIVEL (H)	100	45°	1
SWIVEL (R)	25	frei	1
SWIVEL (V)	25	frei	1



**Sheet & Pipe
Suspender Hook**

- » Made of cold rolled steel
- » Reusable
- » Suitable for products that lack holes for suspension
- » Accepts sheet metal up to 4.0 mm
- » Has holes for use with standard hooks for easy hanging

Part Number	for material thickness (mm)	for material thickness (in)	Bag
HKSC002040	2.0 - 4.0	0.080 - 0.157	50

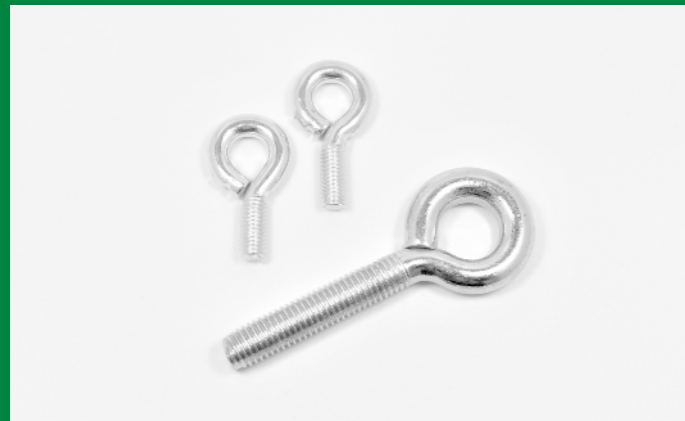


**Spring Stube
Hooks**

- » Easy to apply
- » Allows for hook marks to be hidden inside of holes and other non-cosmetic features
- » Flexible enough to fit a variety of otherwise difficult applications
- » Available in three different strengths
- » CAUTION!
Please exercise caution when removing Spring Tube Hooks as they will expand quickly and with great force

Part Number	Diameter (mm)	Length (mm)	Diameter (in)	Length (in)	Bag
HKRO-015X0100	1.5	100.0	0.059	3.937	250
HKRO-020X0150	2.0	150.0	0.079	5.905	250
HKRO-030X0150	3.0	150.0	0.118	5.905	250
HKRO-040X0250	4.0	250.0	0.157	9.843	250

Other sizes possible on request.



Eye Bolt

- » Made of galvanized steel
- » Fits for the suspension of components with metric internal thread
- » The suspension can be done in combination with our hooks

Part Number	Fits for	Length (mm)	Bag
EB-M03	M3	10.0	500
EB-M04	M4	10.0	400
EB-M05	M5	10.0	200
EB-M06	M6	10.0	100
EB-M08	M8	15.0	100
EB-M10	M10	20.0	100
EB-M12	M12	20.0	50



Hanging Screp Cap

- » Made of galvanized steel
- » Fits for the suspension of components with metric external thread
- » The suspension can be done in combination with our hooks

Part Number	Fits for	Thread Length (mm)	Bag
HSC-M03	M3	5.0	500
HSC-M04	M4	8.0	400
HSC-M05	M5	13.0	200
HSC-M06	M6	15.0	100
HSC-M08	M8	15.0	50
HSC-M10	M10	20.0	25
HSC-M12	M12	25.0	25



Silicone Tubing

Heat resistant up to 315°C
Material: Silicone

- » When sizing parts as a sleeve, the ID of the ST Tubing should be approximately equal to the stud diameter
- » To ensure easy removal, cut the tube length at least 1/2" longer than masking length of the stud. This is especially important if the tube ID is smaller than the stud diameter by more than 2%
- » When sizing parts as a plug, the OD should be 3-7% larger than the hole diameter
- » Due to the low tear resistance of silicone, do not use pliers or other sharp tools for removal
- » Can be used in conjunction with a standard cap to create a long, non-hollow cap

Part Number	Fits for	ID (mm)	OD (mm)	ID (in)	OD (in)	meter/roll
ST0109		2.8	5.9	0.109	0.234	30
ST0125		3.2	6.4	0.125	0.250	30
ST0140	M4	3.6	6.7	0.140	0.265	30
ST0156		4.0	7.1	0.156	0.281	30
ST0187	M5	4.7	7.9	0.187	0.312	30
ST0203		5.2	8.3	0.203	0.328	30
ST0218	M6	5.5	8.7	0.218	0.343	30
ST0234		5.9	9.1	0.234	0.359	30
ST0250		6.4	9.5	0.250	0.375	30
ST0281	M8	7.1	10.3	0.281	0.406	15
ST0312		7.9	11.1	0.312	0.437	15
ST0343		8.7	11.9	0.343	0.468	15
ST0375	M10	9.5	12.7	0.375	0.500	15
ST0406		10.3	13.5	0.406	0.531	15
ST0437	M12	11.1	14.3	0.437	0.562	15
ST0500		12.7	15.9	0.500	0.625	15
ST0625		15.9	19.1	0.625	0.750	15
ST0750	M20	19.1	22.2	0.750	0.875	15

Other sizes upon request.



Flexible Star Tubing

Heat resistant up to 315°C
Material: Silicone

- » Fits over threaded studs, dowels, pins and tube stock
- » Each size fits multiple diameters
- » Low friction for easy placement and removal
- » Flexible enough to conform to irregular geometries

Part Number	Color	min. Diameter (mm)	max. Diameter (mm)	min. Diameter (in)	max. Diameter (in)	meter/roll
FSTS0200-W	white	5.1	6.4	0.200	0.250	30
FSTS0300-F	rusty	7.6	9.5	0.300	0.375	30
FSTS0400-L	yellow	10.2	12.7	0.400	0.500	30
FSTS0500-P	purple	12.7	15.9	0.500	0.625	30
FSTS0625-F	rusty	15.9	19.1	0.625	0.750	15
FSTS0725-U	blue	18.4	22.2	0.725	0.875	15
FSTS0850-W	white	21.6	25.4	0.850	1.000	15
FSTS1000-C	clear	25.4	31.8	1.000	1.250	7.5
FSTS1250-P	purple	31.8	38.1	1.250	1.500	7.5
FSTS1500-F	rusty	38.1	44.5	1.500	1.750	7.5
FSTS1750-O	orange	44.5	50.8	1.750	2.000	7.5

CRDS



Solid Silicone Cord

Heat resistant up to 315°C

Material: Silicone

- » Plug exposed channels or grooves on machined parts
- » Used to plug threaded and non-threaded holes
- » To ensure tight seal, pick a product whose outer diameter (OD) dimension is at least 3-7% larger than the hole or groove that is being masked

Part Number	Color	Diameter (mm)	Diameter (in)	meter/roll
CRDS0063-R	red	1.6	0.062	30
CRDS0125-O	orange	3.2	0.125	30
CRDS0188-P	purple	4.8	0.189	30
CRDS0250-N	pink	6.4	0.250	30
CRDS0375-R	red	9.5	0.374	15
CRDS0500-P	purple	12.7	0.500	15

CRDF



Silicone Foam Cord

Heat resistant up to 270°C

Material: Silicone foam

- » Elongate the cord during application to make insertion easy. Cord will return back to original shape when released and create a liquid tight seal
- » To ensure a liquid tight seal, pick a product whose outer diameter (OD) dimension is 3 - 7% larger than the hole or groove that is being masked

Part Number	Color	Diameter (mm)	Diameter (in)	meter/roll
CRDF0062-G	green	1.6	0.062	15
CRDF0125-B	black	3.2	0.125	15
CRDF0187-R	red	4.7	0.187	15
CRDF0250-Y	grey	6.4	0.250	15
CRDF0312-U	blue	7.9	0.312	15
CRDF0500-O	orange	12.7	0.500	7.5
CRDF0625-Y	grey	15.9	0.625	7.5
CRDF0750-R	red	19.1	0.750	7.5
CRDF0875-Y	grey	22.2	0.875	7.5
CRDF1000-U	blue	25.4	1.000	7.5

SHRS/SHFS

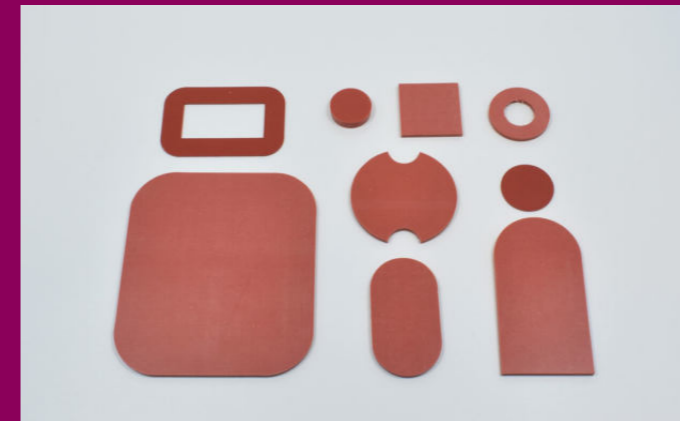
Custom Tailors



Silicone Sheeting

Heat resistant up to 315°C

Material: Silicone



- » Can be die cut to almost any shape
- » Reusable paint mask
- » Solid rubber (SHRS) is ideal for gaskets in automotive sealing application
- » Silicone foam is more conformable and lighter in weight than solid silicone rubber
- » Silicone foam's fabric-like top film is extremely durable and resists powder build-up
- » Silicone rubber has a smooth surface where as silicone foam has a textured surface
- » Saves labor time over traditional tape masking, and can be reused for additional cost savings
- » Foam sheeting is a closed-cell structure and will not absorb water

Solid rubber

Part Number	material thickness (mm)	Length X Width (mm)	material thickness (in)	Length X Width (in)
SHRS0010-0600X0500	1.0	600 X 500	0.039	23.6 X 19.7
SHRS0015-0600X0500	1.5	600 X 500	0.059	23.6 X 19.7
SHRS0020-0600X0500	2.0	600 X 500	0.078	23.6 X 19.7
SHRS0030-0600X0500	3.0	600 X 500	0.118	23.6 X 19.7
SHRS0040-0600X0500	4.0	600 X 500	0.158	23.6 X 19.7
SHRS0050-0600X0500	5.0	600 X 500	0.197	23.6 X 19.7

Silicone rubber

Part Number	material thickness (mm)	Length X Width (mm)	material thickness (in)	Length X Width (in)
SHFS0020-0600X0500	2.0	600 X 500	0.078	23.6 X 19.7
SHFS0030-0600X0500	3.0	600 X 500	0.118	23.6 X 19.7
SHFS0040-0600X0500	4.0	600 X 500	0.158	23.6 X 19.7
SHFS0050-0600X0500	5.0	600 X 500	0.197	23.6 X 19.7

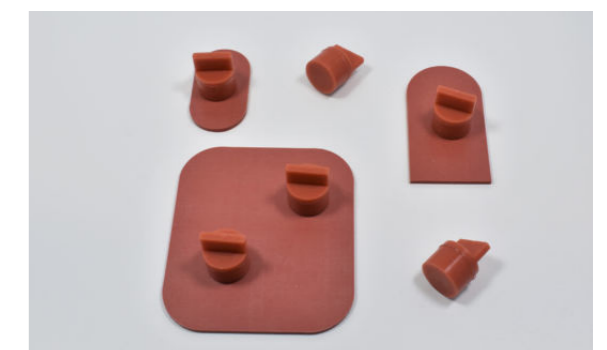
Other sizes and thicknesses upon request.

Besides custom molded maskings, we can cut sheeting for you as fast and economical solution. These are made out of silicone sheeting, EPDM sheeting or silicone foam sheeting.

To offer you our solution we will need one of the following information:

- Sketch
- Sample of your part which need to get masked
- Sample of the existing tailor
- PDF, Step or dxf drawing

Get your offer today!



Magnetic tab

An optimal addition to the plate blanks, is our magnetic masking MHS-1.

Our MHS-1 is a magnet enclosed in silicone and is temperature resistant up to +315°C. With our MHS-1 you will find a silicone covered heat resistant magnetic, which can be placed on your Custom silicone tailor to hold the part on metal surfaces.

Part Number	Diameter (mm)	Height (mm)	Bag
MHS-1	18	7.5	20



Starter Kits

- » Ideal as a sample selection to test the appropriate size of a masking to test
- » Our starter kits contain a variety of caps and plugs in different sizes

Part Number	Cover area	
KIT SC	Fits for M2 - M20	more information on page 6 - 9
KIT STS	Fits for M2 - M34	more information on page 22 - 24
KIT SPP	Fits for M2 - M20	more information on page 37 - 39
KIT FLPS	MJD = 4.0 - 28.0 mm	more information on page 30 - 31
KIT BTM/BTC	PD = 5.3 - 18.4 mm	more information on page 34 - 35



Paint Touch Stick

- » Ideal for touching up contact points
- » Color accurate due to the addition of powder coating
- » Fast drying and weather resistant
- » Remains with added powder for several months
- » Dust dry after 20 minutes
- » Touch resistant after 60 minutes
- » Fully cured after 24 hours

Part Number	Description	Bag/Stk.
PTS-1	Paint touch stick, smooth, 8 ml	1
PTS-2	Paint touch stick, texture, 8 ml	1
PTS-BOTTLE	Bottle with cap for powder, 5 ml	1
PTS-CAP	Cap for PTS Stick	1



Cork Spacer Pads

- » Protect finished products during shipping and storage
- » Spacer pads stick without adhesive
- » Fast, easy placement and removal
- » Inexpensive cork material, reusable
- » Parts can be stacked shortly after curing

Part Number	Material thickness (mm)	Dimensions (mm)	Material thickness (in)	Dimensions (in)	Bag
CRSP181804RLL	4.0	18.0 X 18.0	0.157	0.709 X 0.709	11.000 auf Rolle
CRSP202004RLL	4.0	20.0 X 20.0	0.157	0.787 X 0.787	10.400 auf Rolle



Masking Paper

- » High Quality Mask Paper
- » Cost effective masking for large surfaces in combination with masking tape like e.g. A12 of W12
- » Basis weight 38 g/m²

Part Number	Width (mm)	Length (m)	Width (in)	Length (yd)
MP-0100	100	500	3.937	546.8
MP-0150	150	500	5.906	546.8
MP-0200	200	500	7.874	546.8
MP-0250	250	500	9.843	546.8
MP-0300	300	500	11.811	546.8
MP-0400	400	500	15.748	546.8
MP-0500	500	500	19.685	546.8
MP-0600	600	500	23.622	546.8
MP-0900	900	500	35.433	546.8

Other sizes upon request.



EPSI Europe GmbH

Dütestr. 3
49205 Hasbergen
Germany

+49 (0) 5405 - 50 60 50
info.eu@epsi.com
www.epsiurope.de